

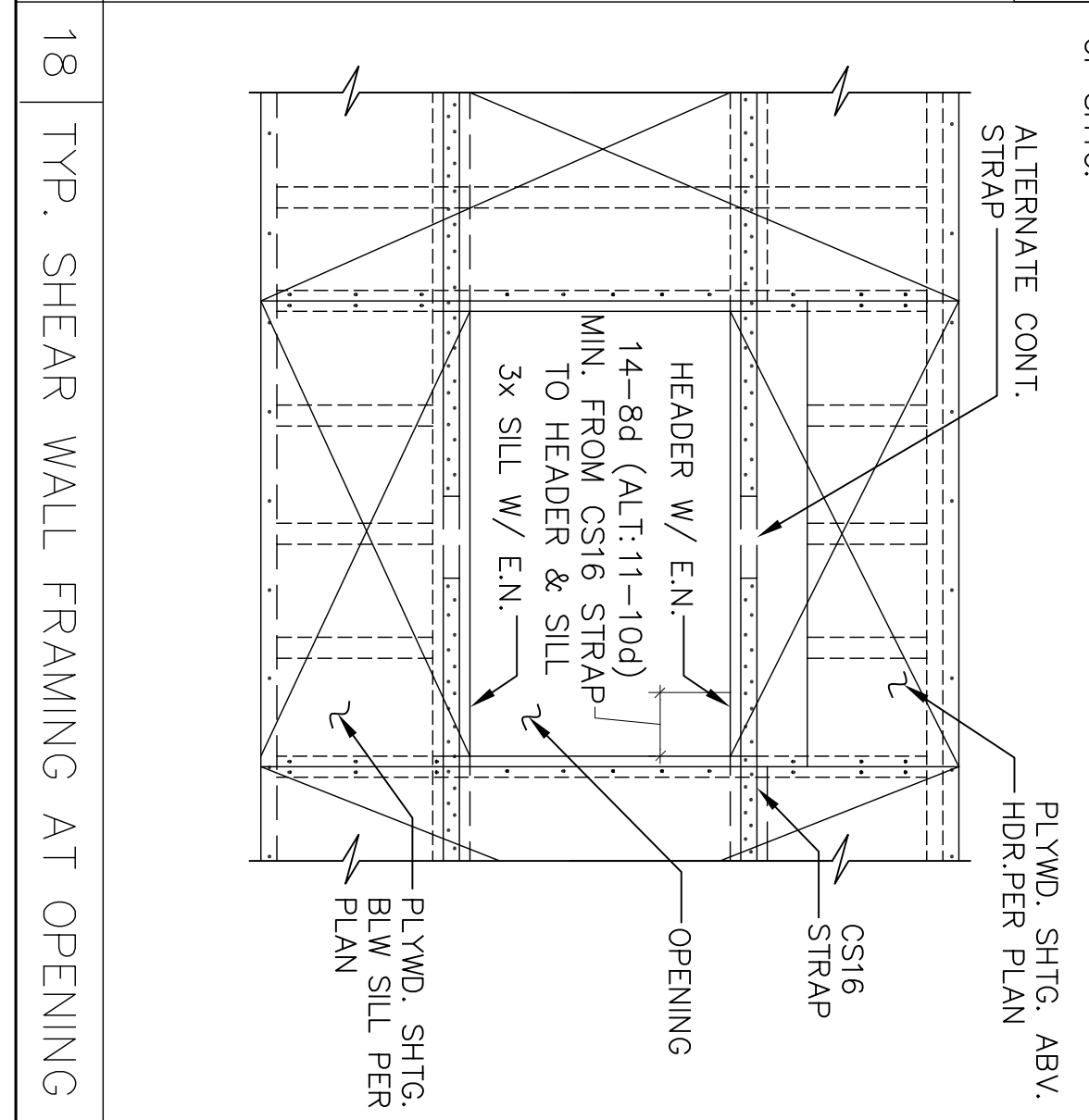
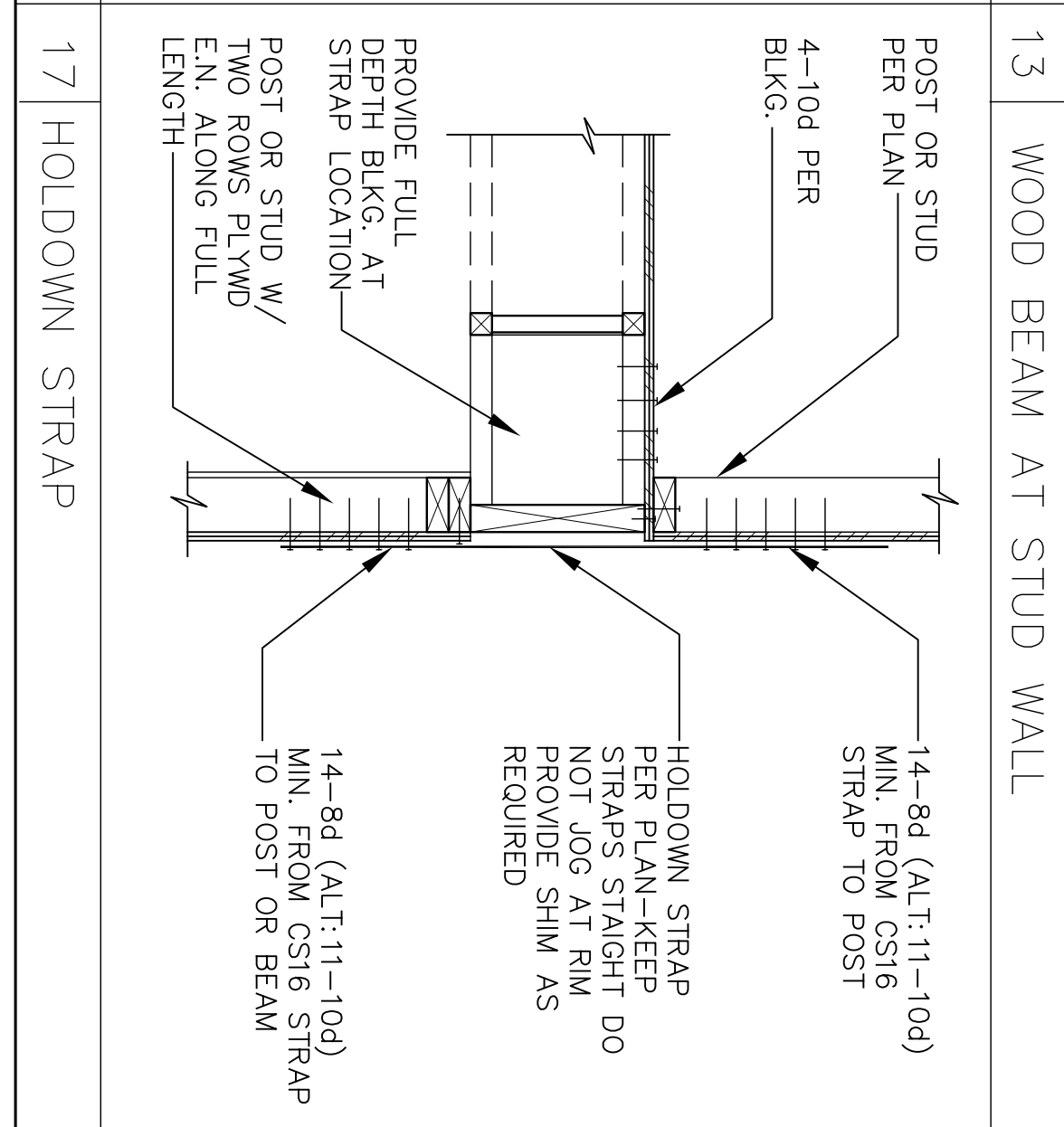
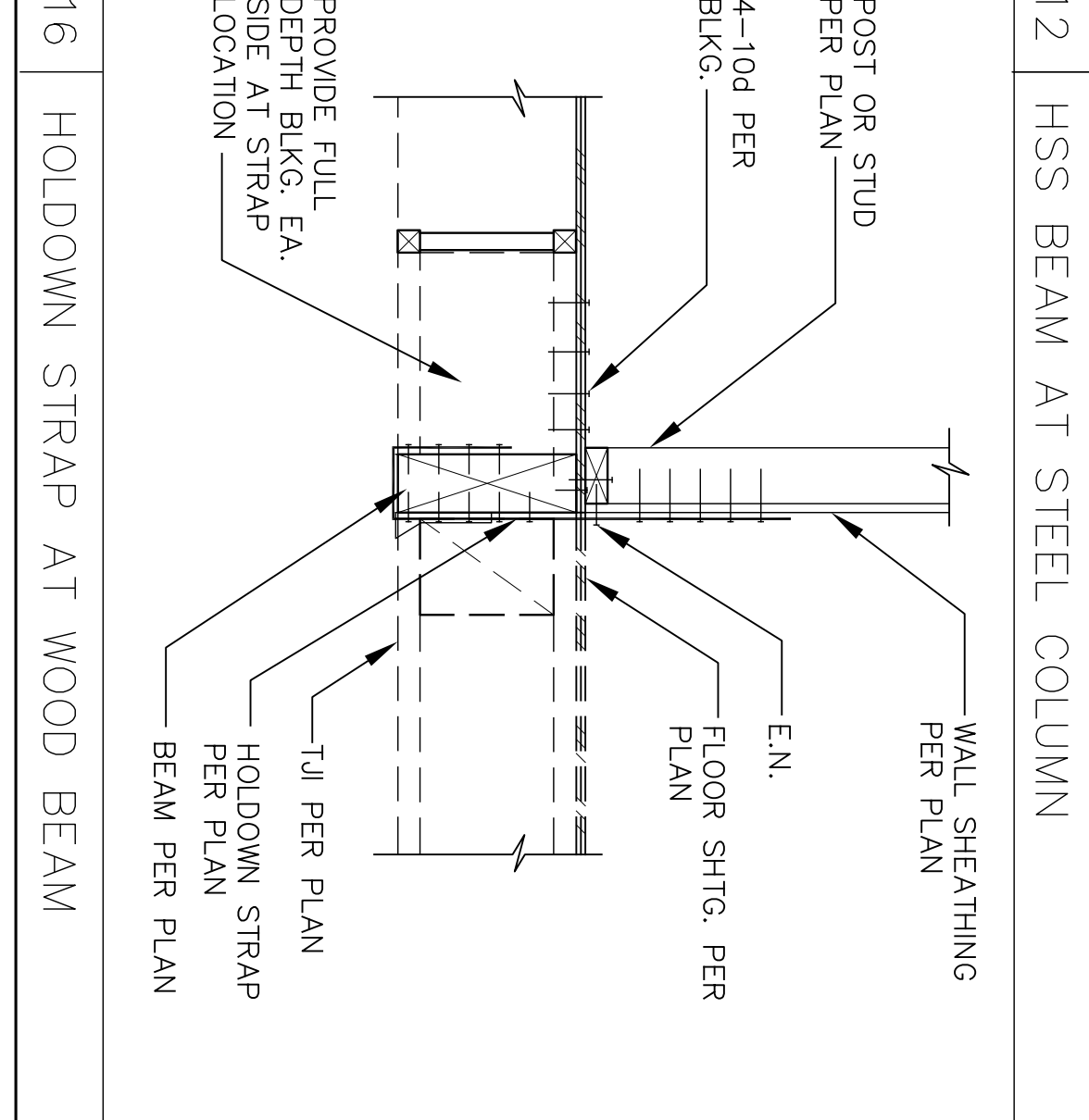
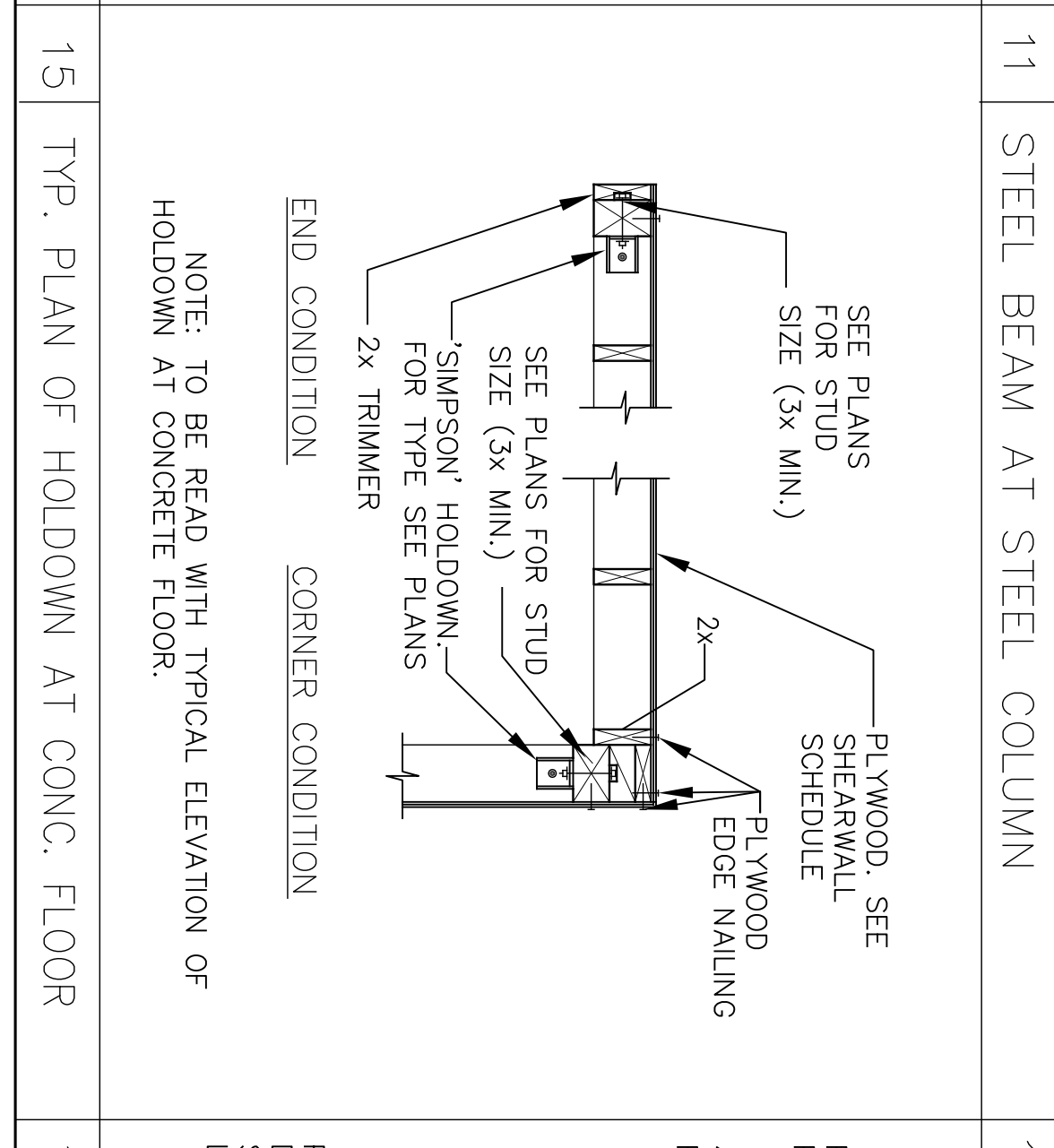
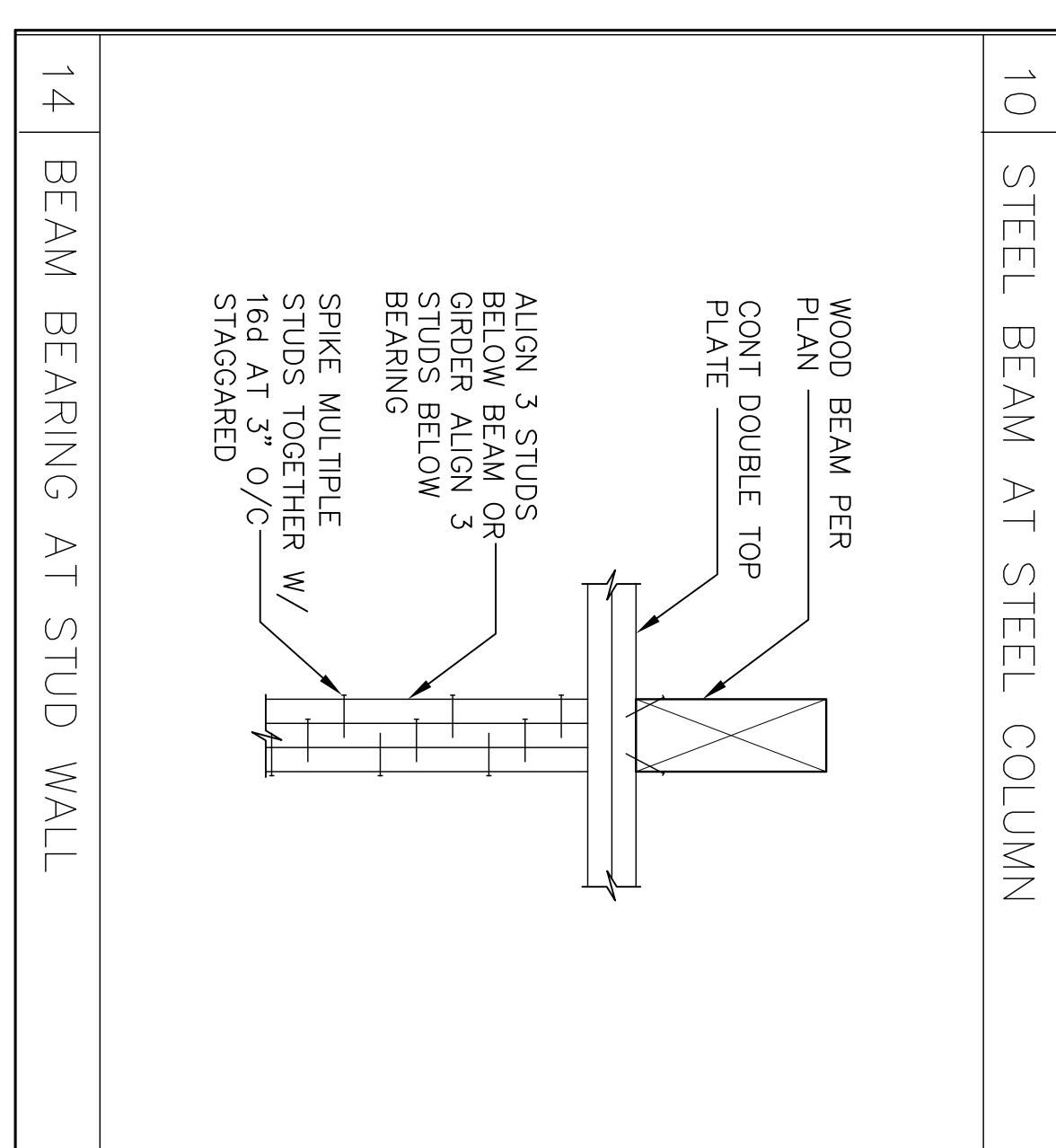
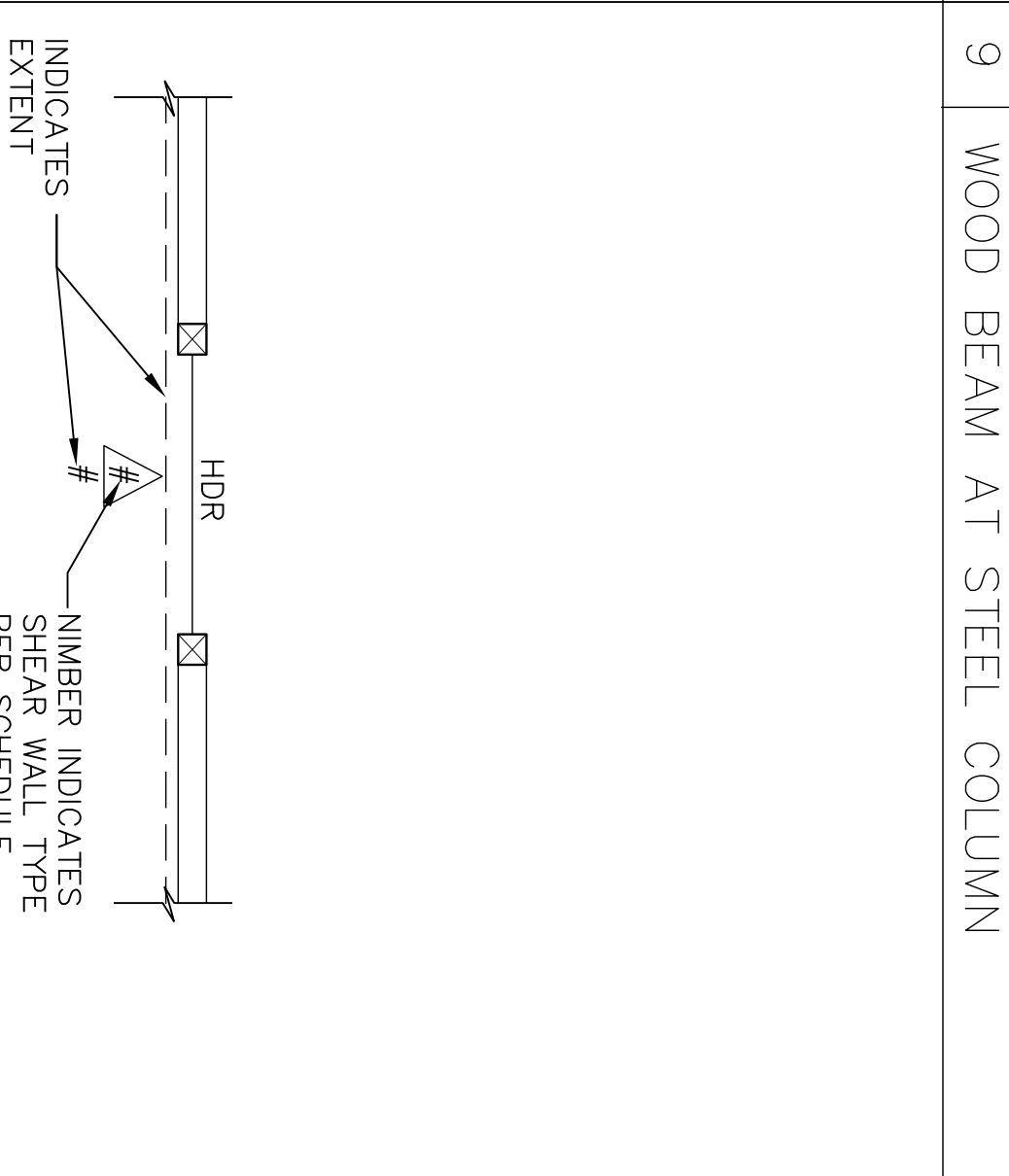
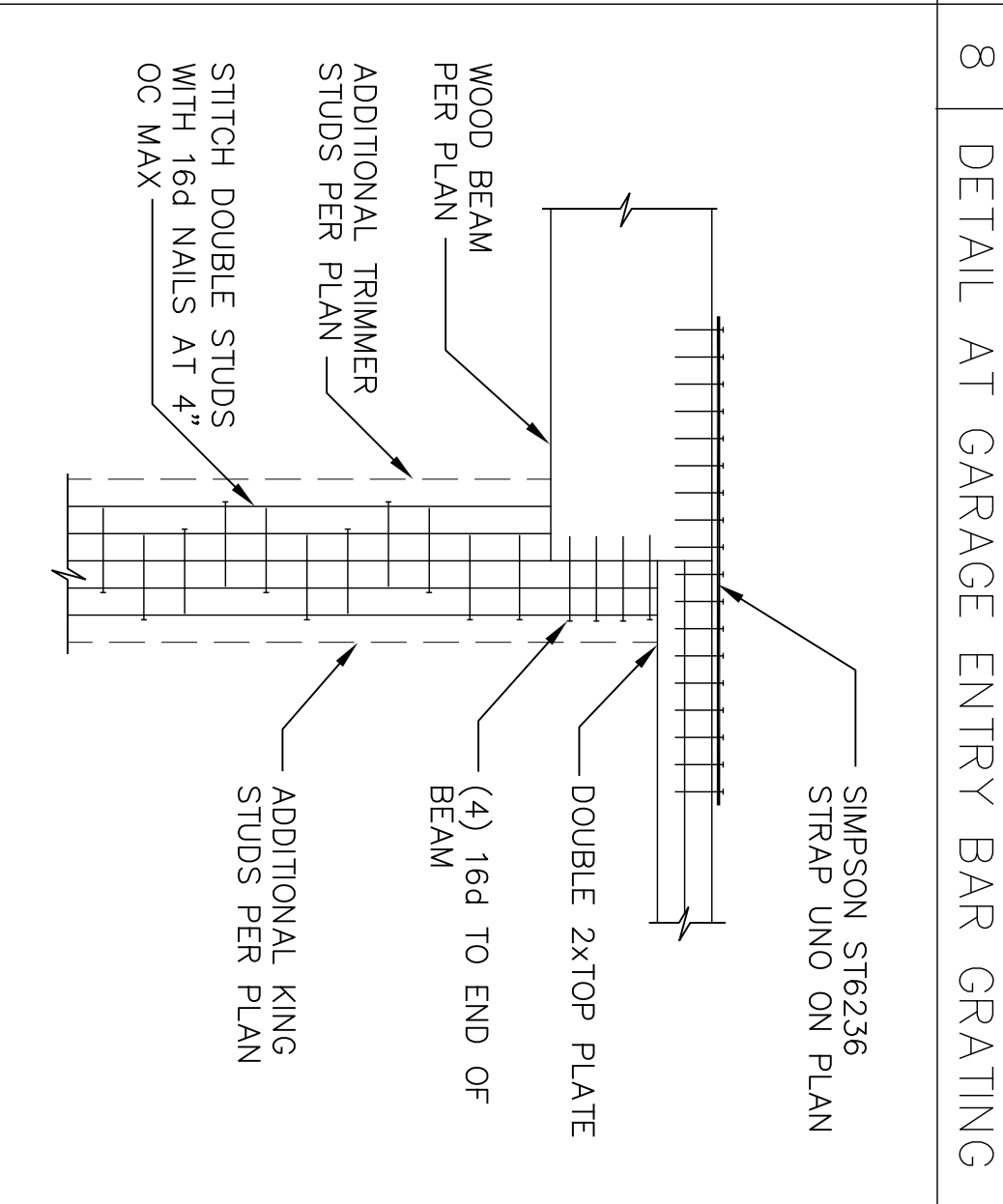
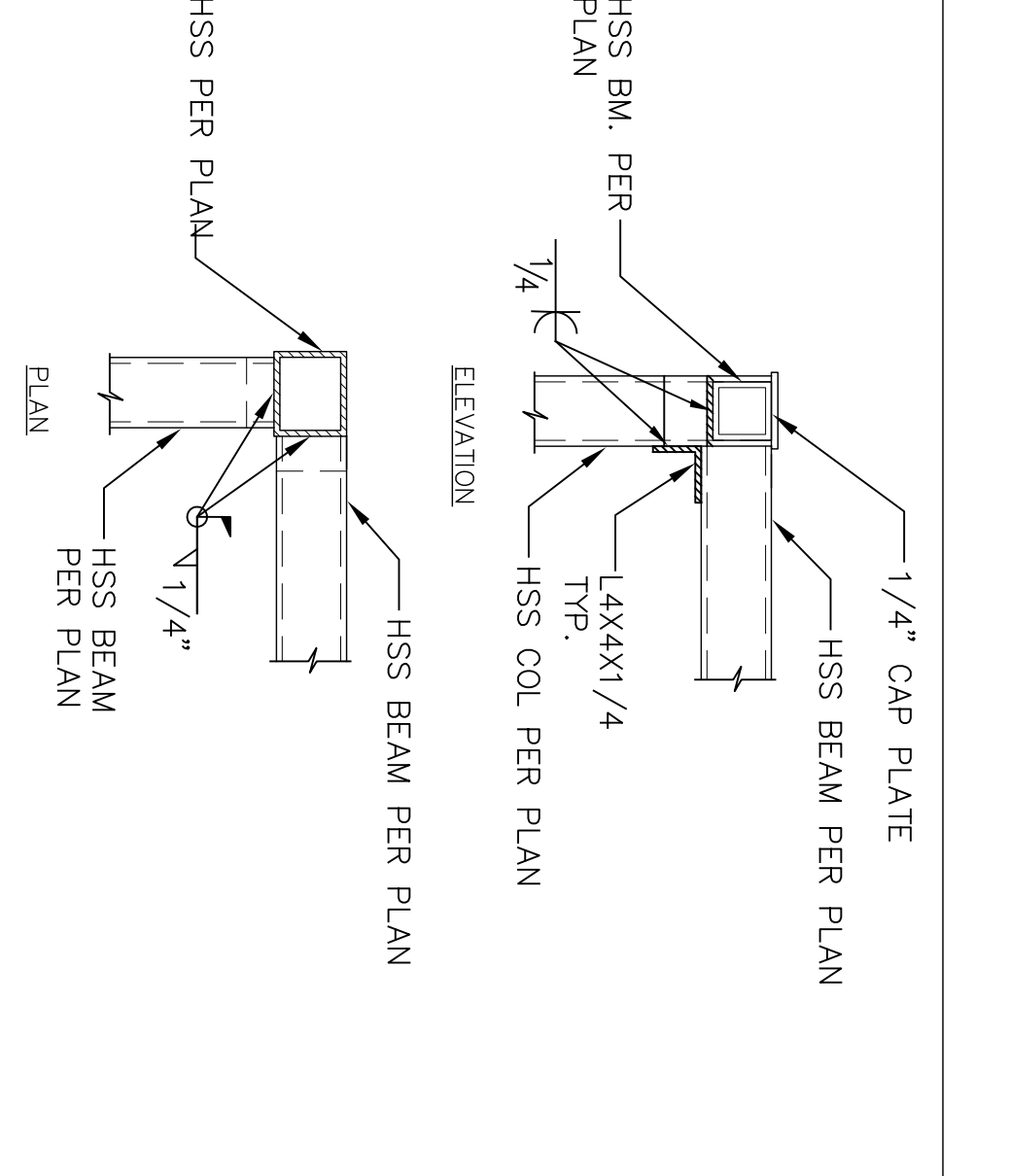
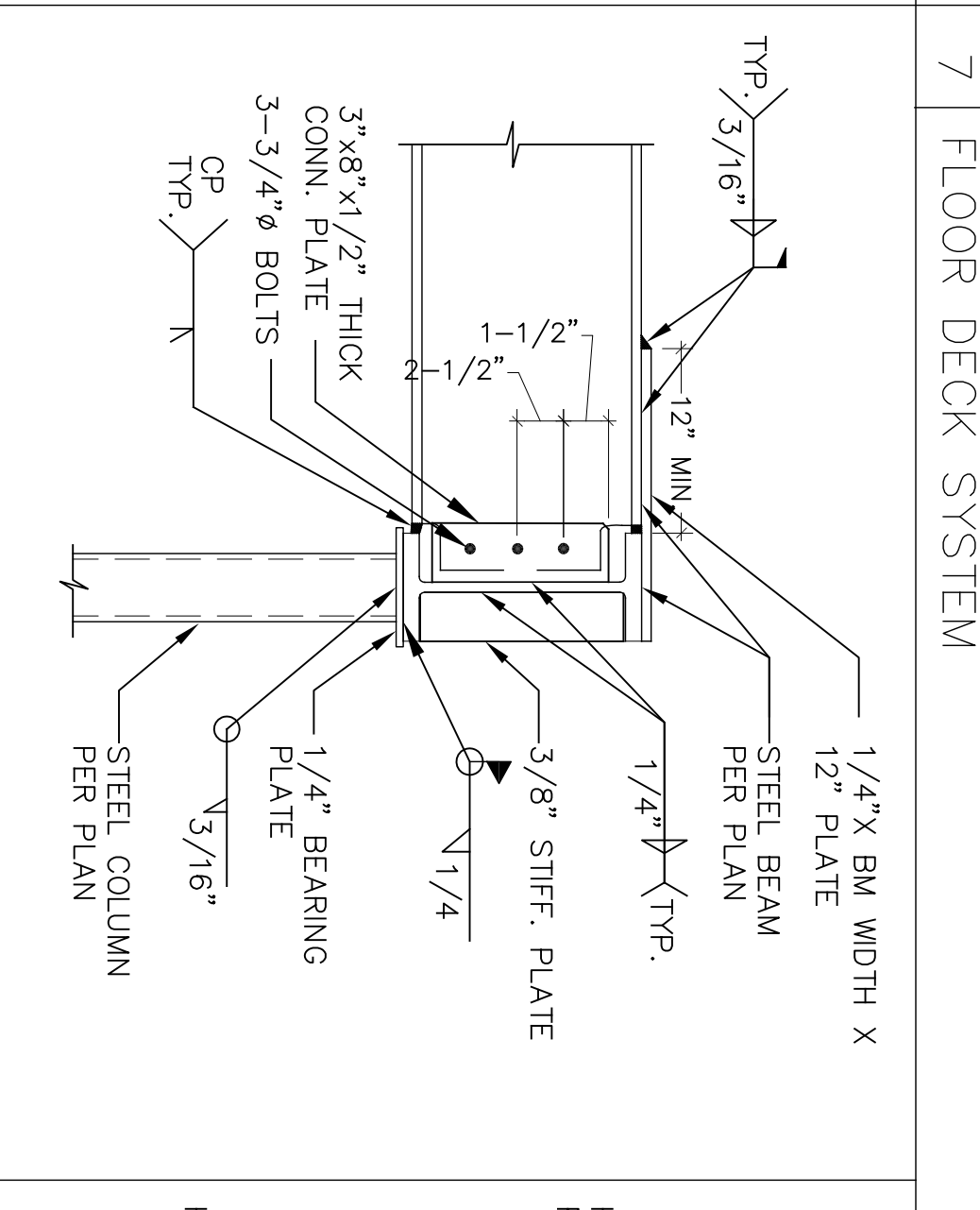
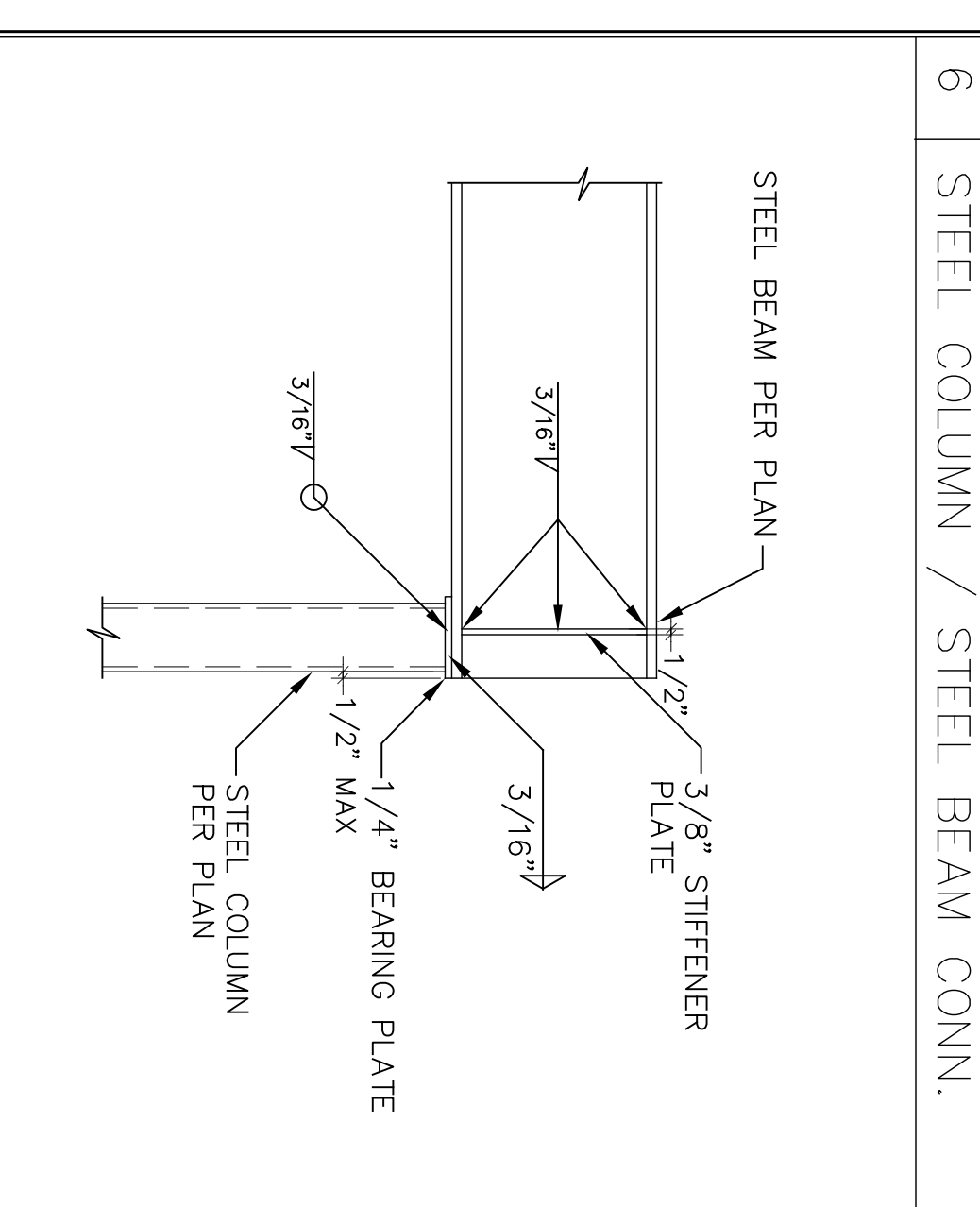
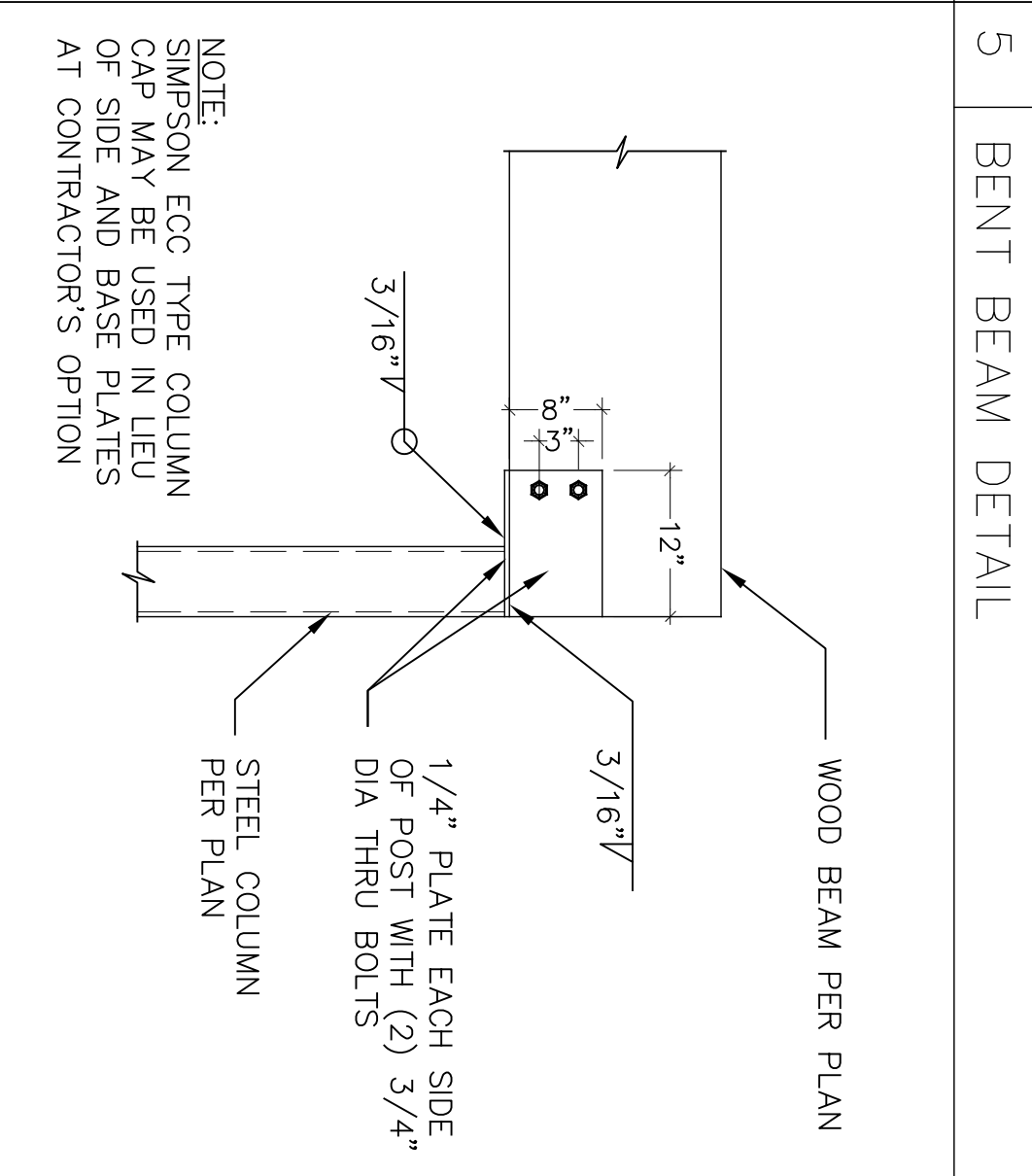
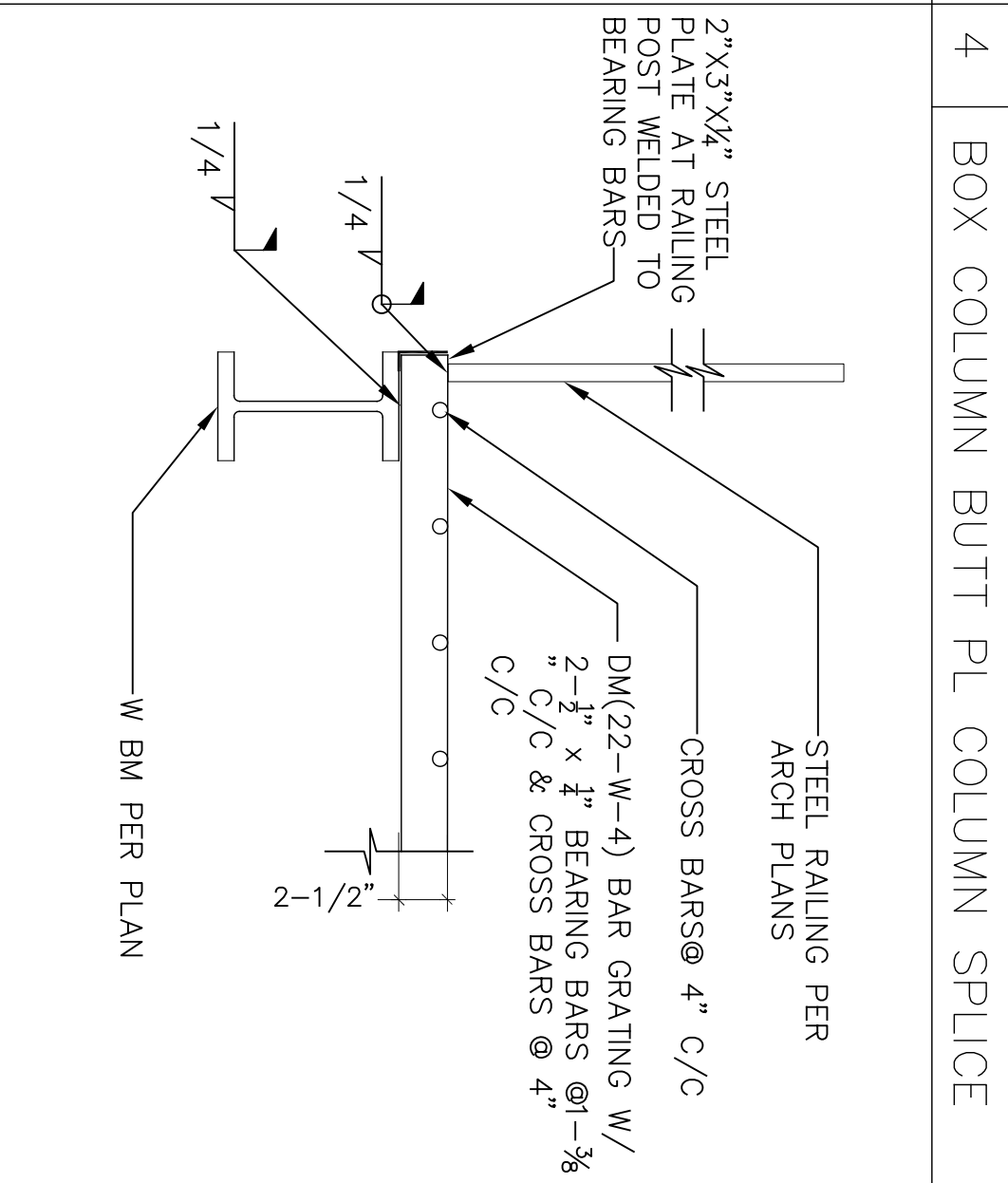
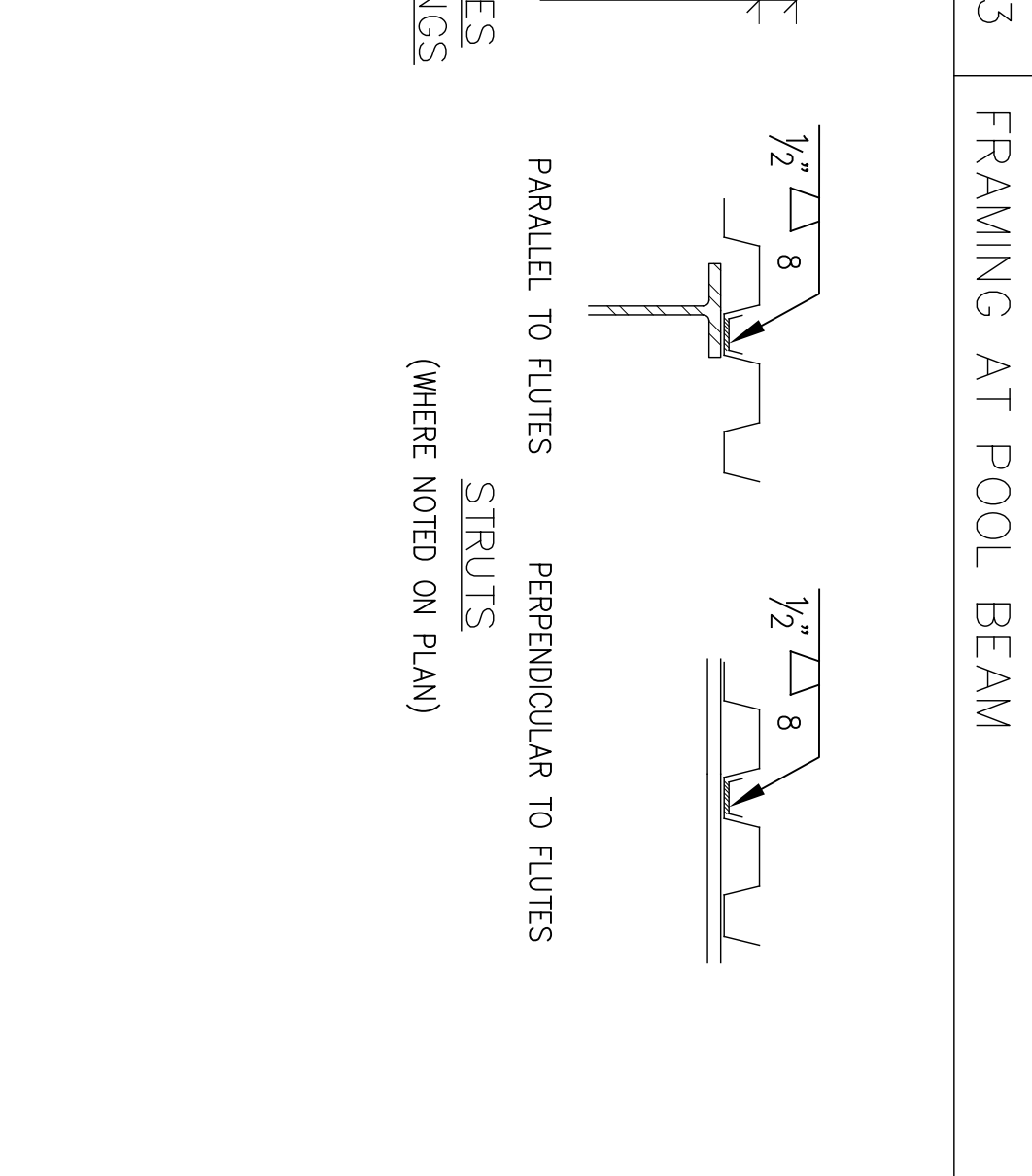
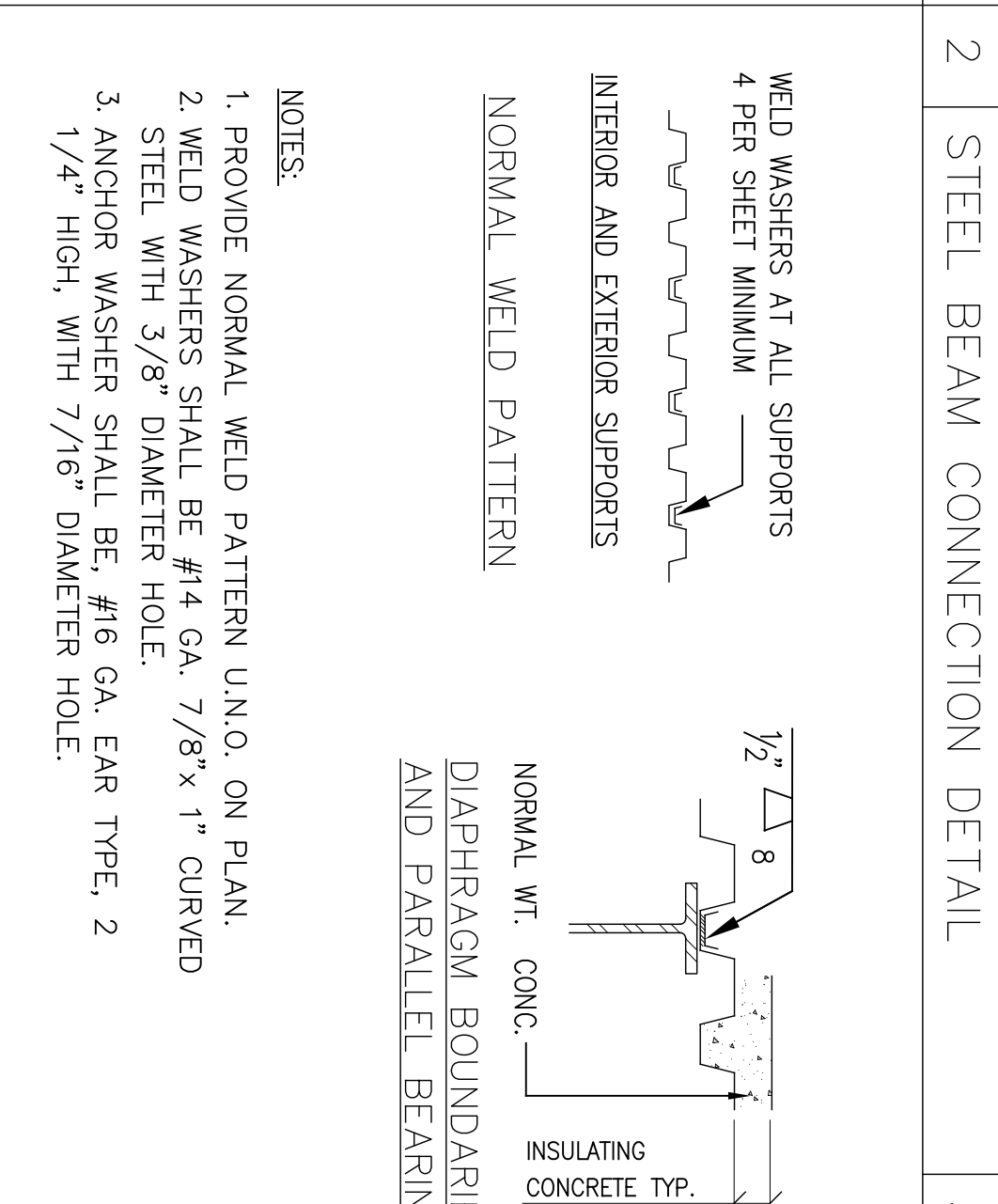
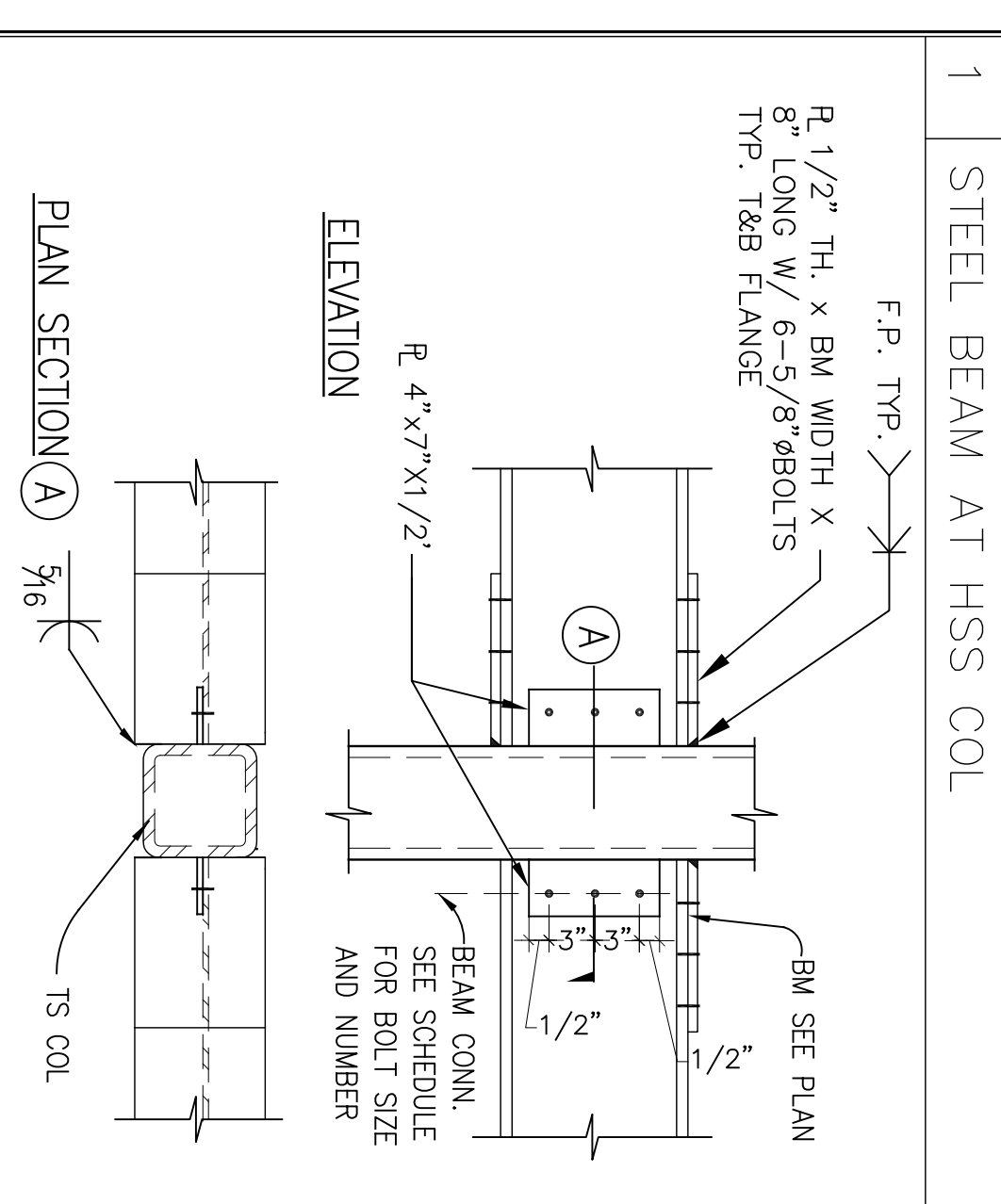
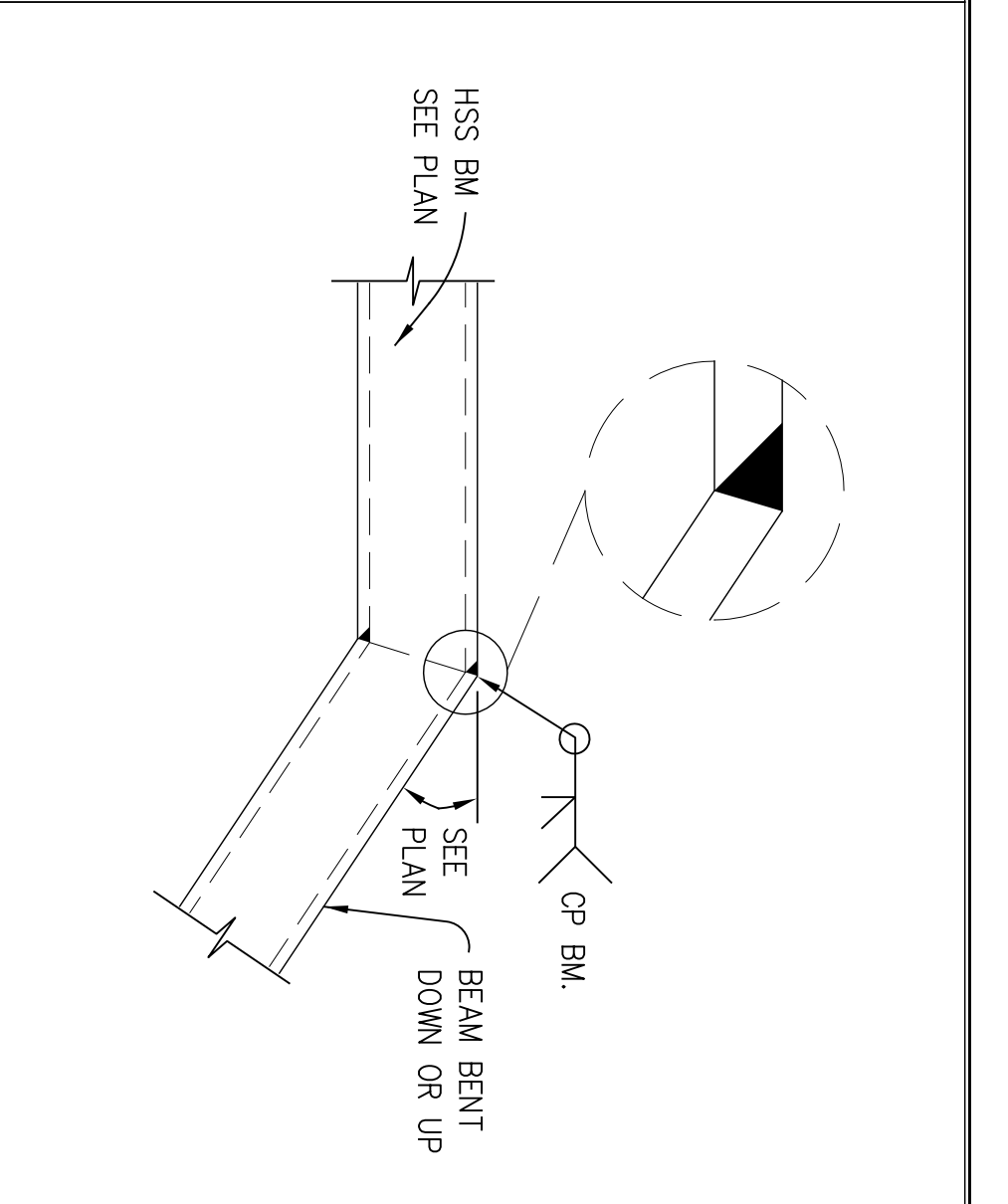
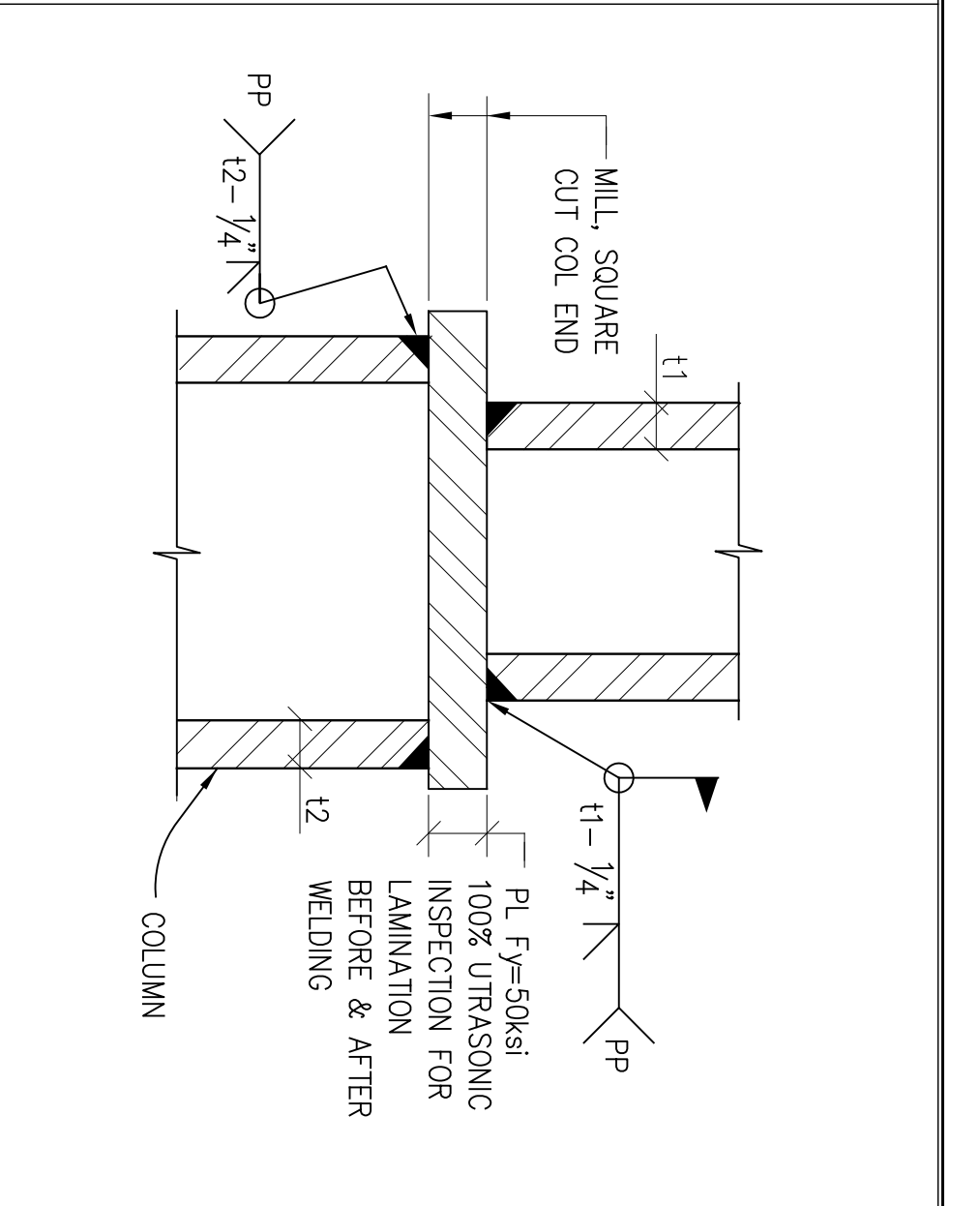
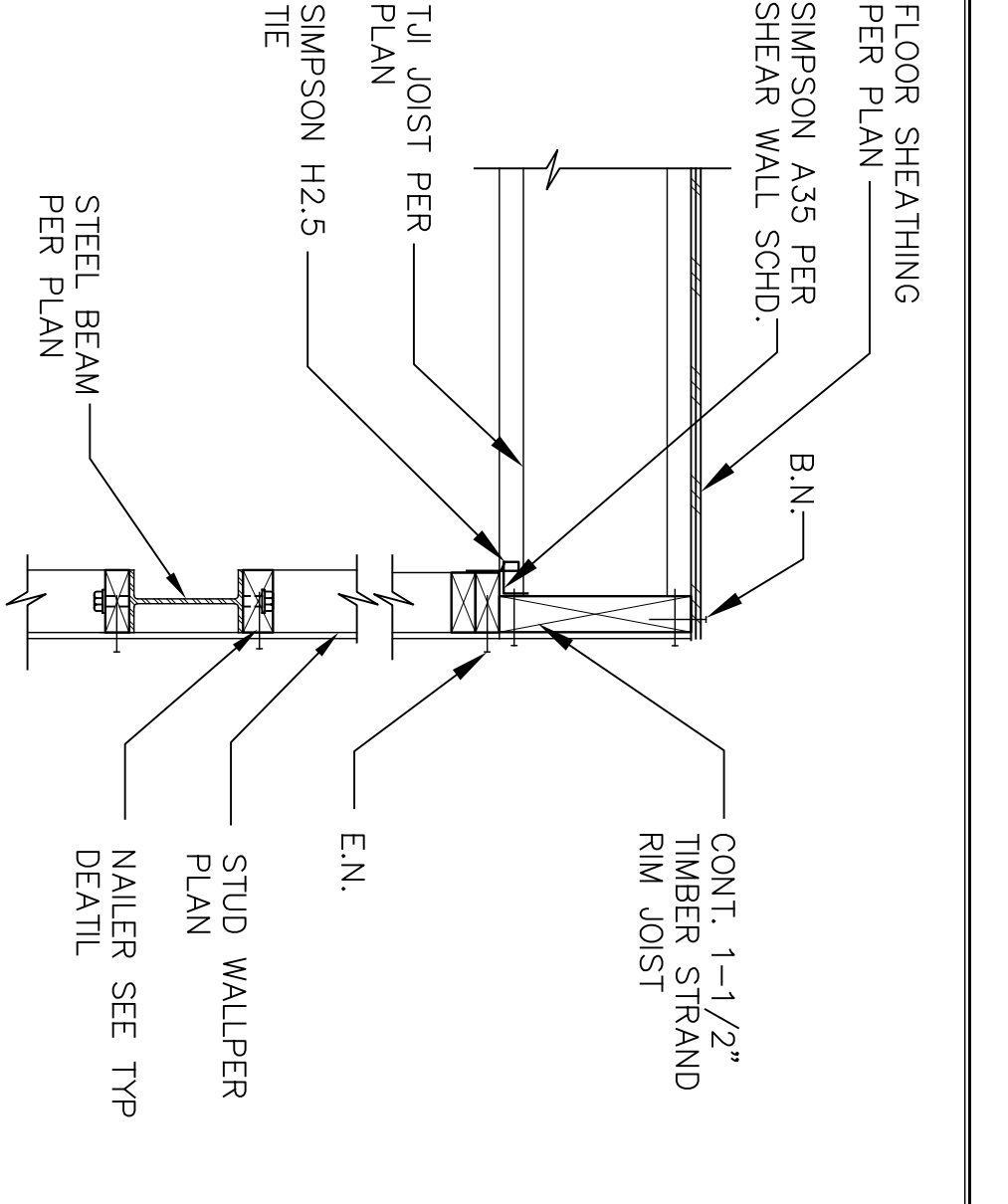
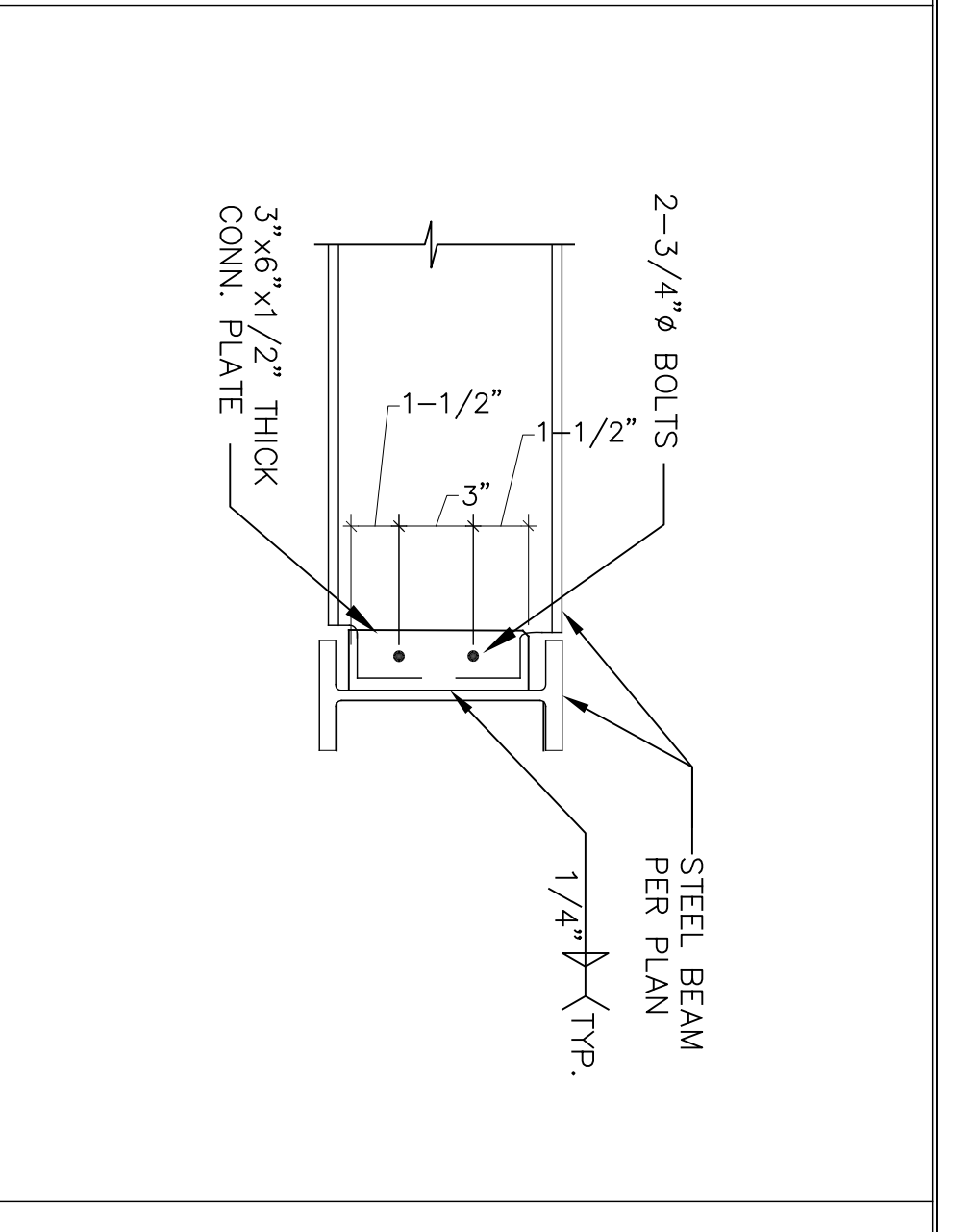
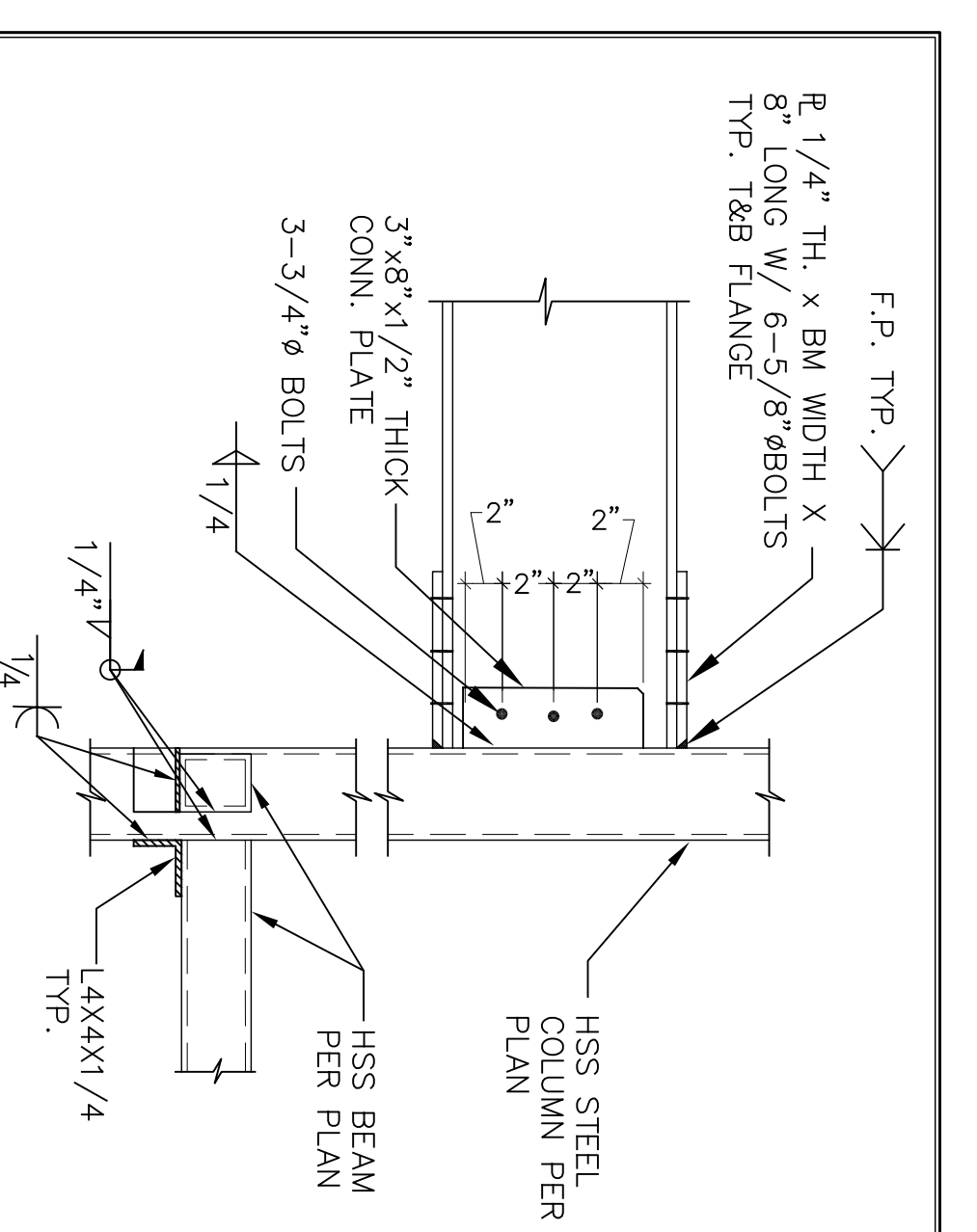
NO.	DATE	REVISIONS
Δ		
Δ		
Δ		

**DESIGN EVEREST**  
**STRUCTURAL ENGINEERS**  
 3351 ALMA STREET, SUITE 211  
 PALO ALTO, CA 94306

**PROJECT**  
 NIJJAR RESIDENCE  
 1912 20TH ST, SAN FRANCISCO, CA

**TITLE**  
 STRUCTURAL DETAILS  
 SERIAL

**DRAWN** : BS  
**ENGR.** : AP  
**DATE** : 8/04/2008  
**JOB** : 07-24  
**SD-3**  
 SHEET  
 OF  
 8



**14** BEAM BEARING AT STUD WALL  
**15** TYP. PLAN OF HOLDOWN AT CONG. FLOOR  
**16** HOLDOWN STRAP AT WOOD BEAM  
**17** HOLDOWN STRAP  
**18** TYP. SHEAR WALL FRAMING AT OPENING