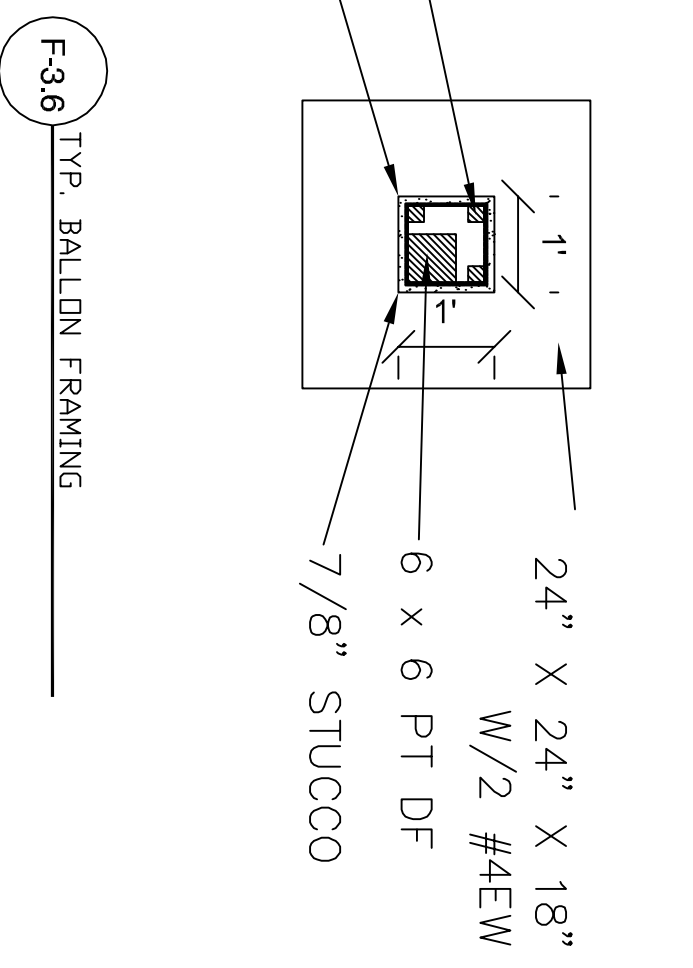
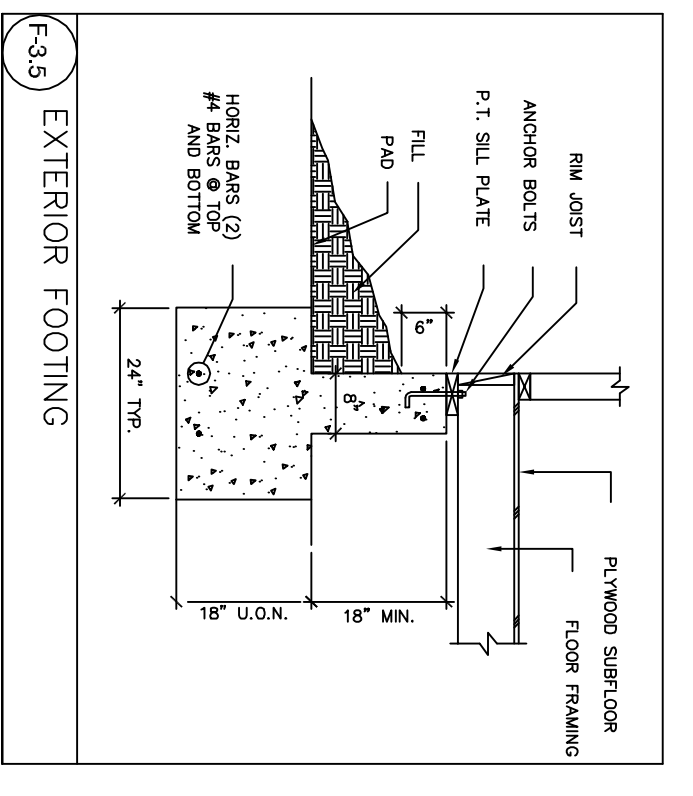
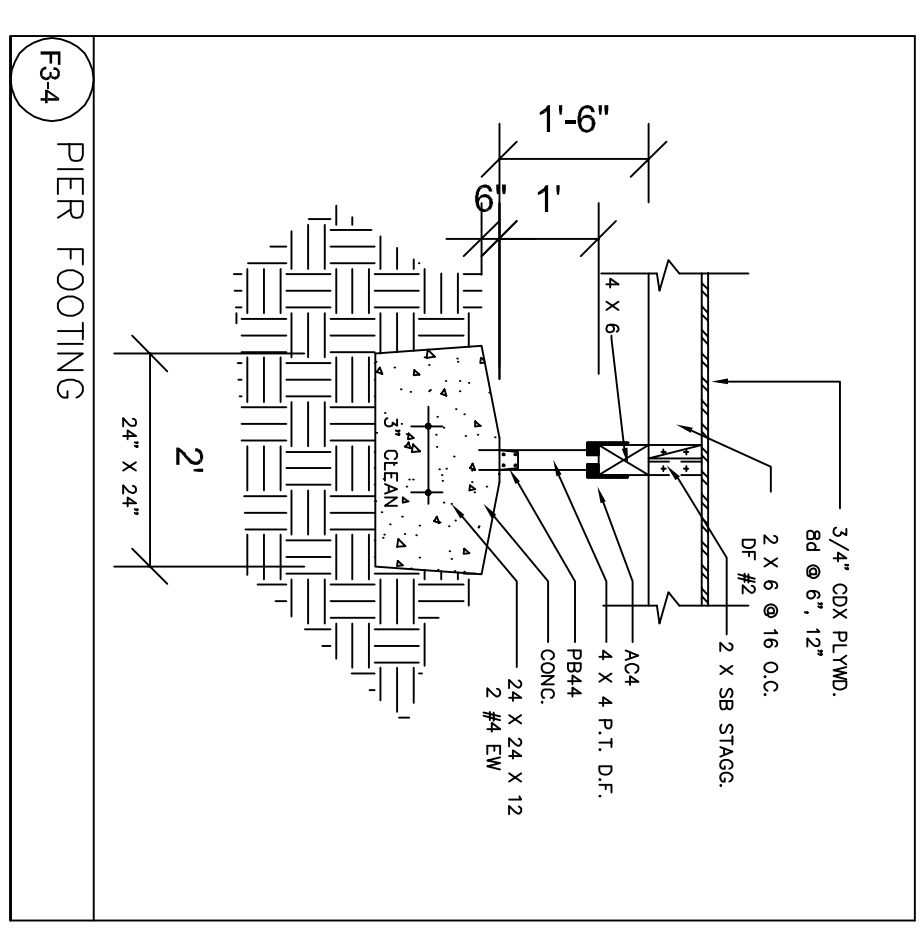
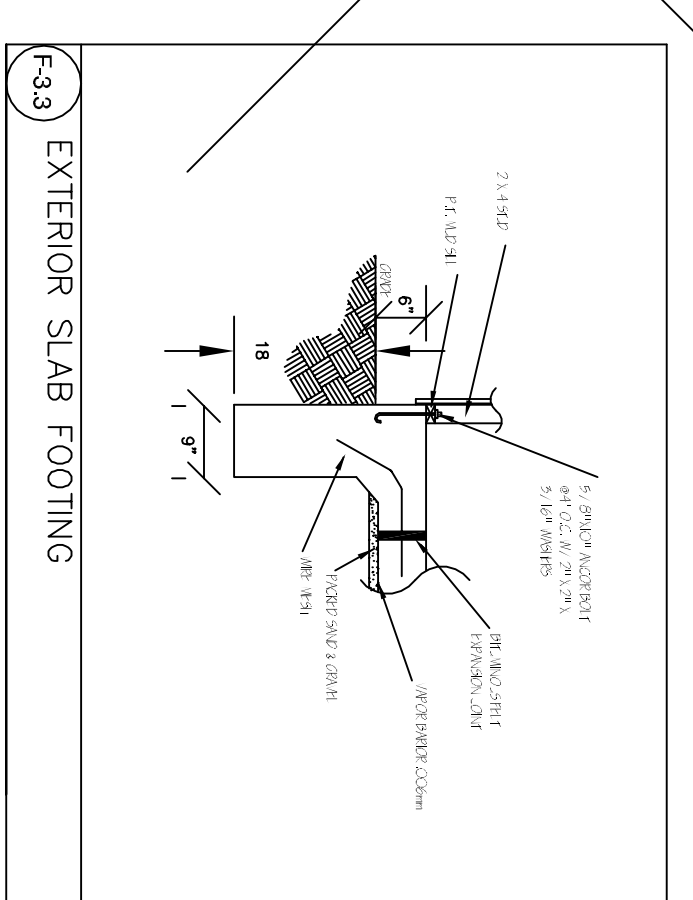
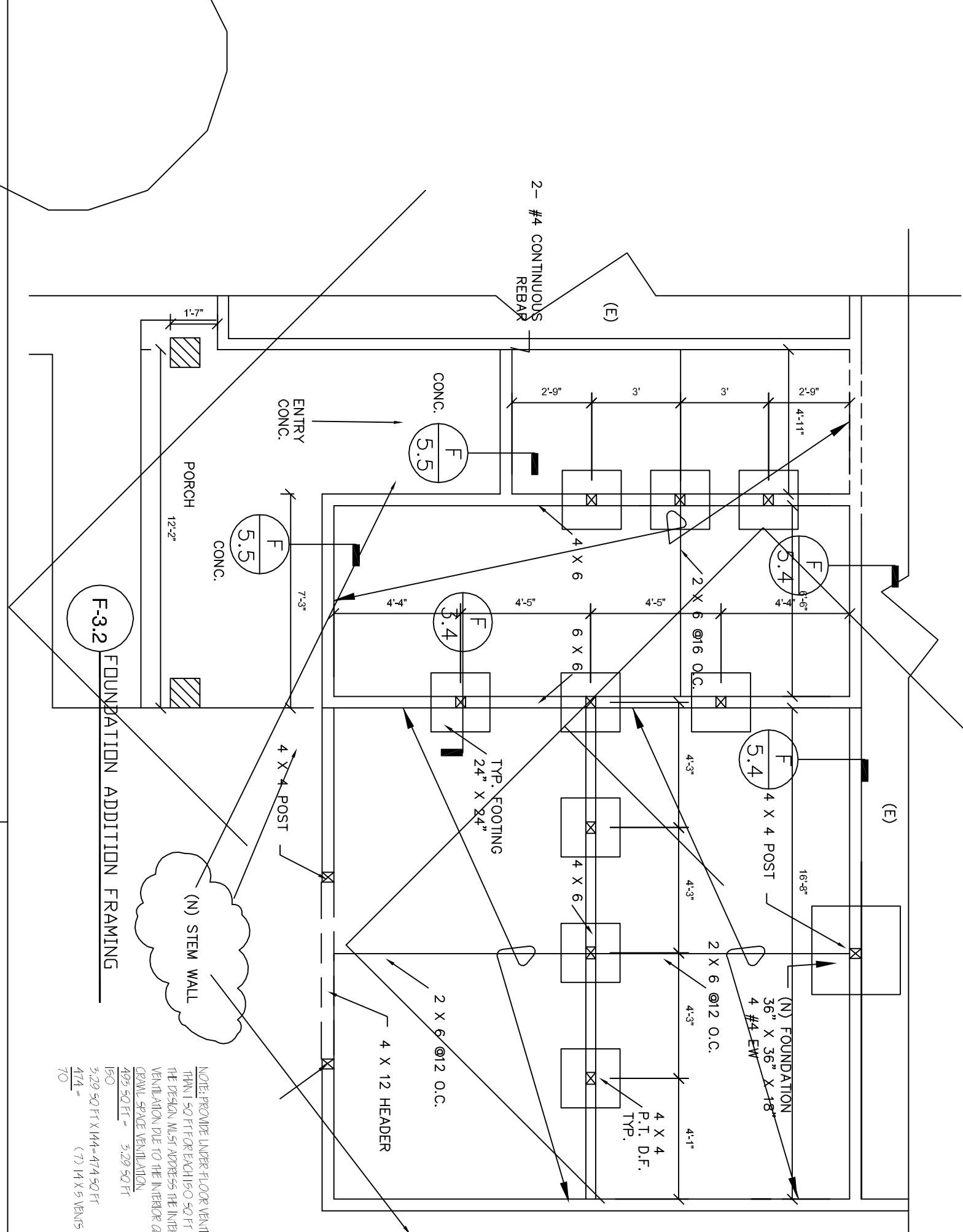
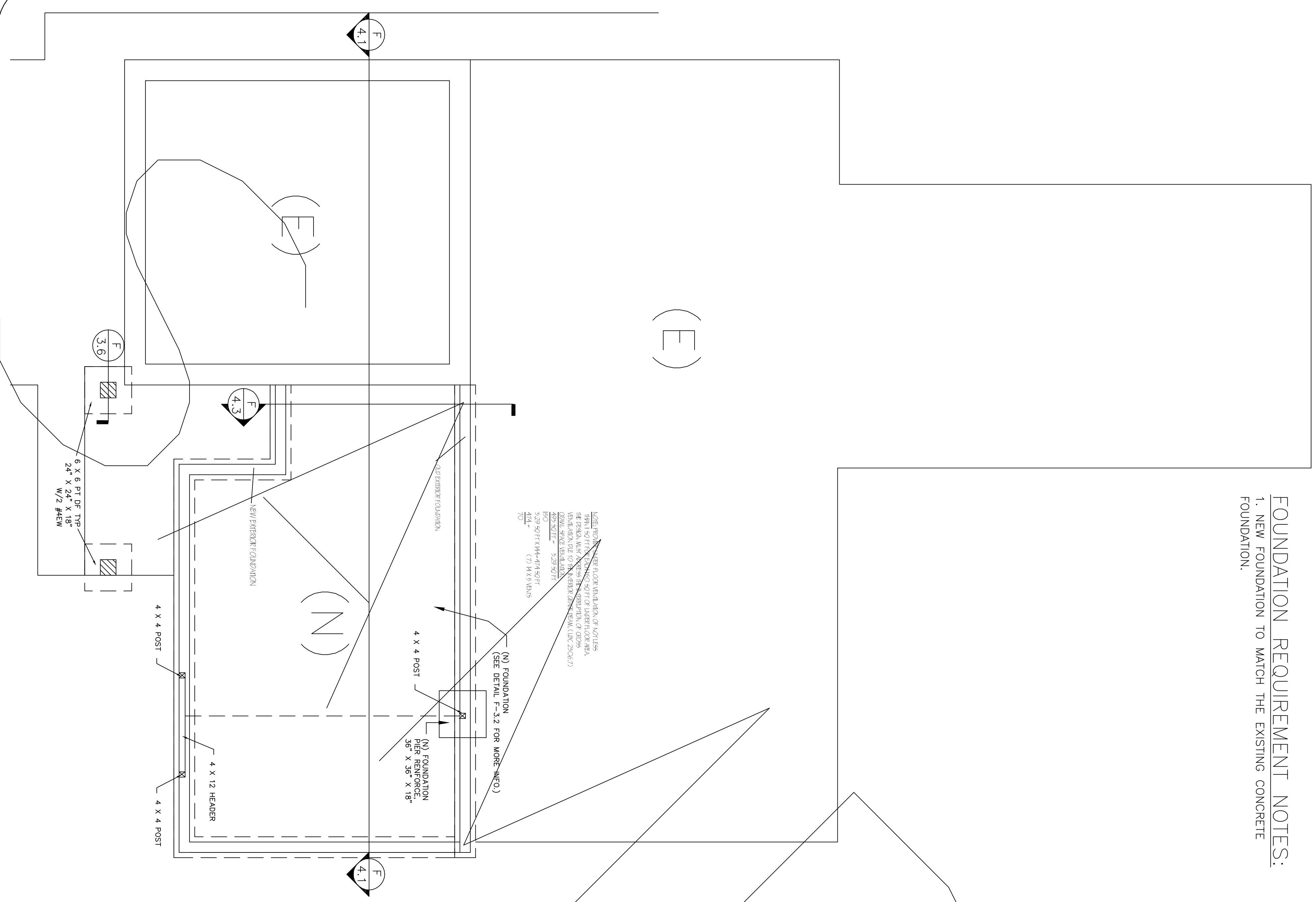


FOUNDATION REQUIREMENT NOTES:
 1. NEW FOUNDATION TO MATCH THE EXISTING CONCRETE FOUNDATION.



THESE DRAWINGS ARE NOT TO BE USED FOR CONSTRUCTION DRAWINGS. ALL WORK SHALL CONFORM TO APPLICABLE REQUIREMENTS OF LOCAL, STATE, AND FEDERAL AGENCIES HAVING JURISDICTION. AIASSA DESIGNERS ASSUMES NO RESPONSIBILITY FOR THE SUPERVISION NOR PROPER EXECUTION FOR THE WORK SHOWN ON THESE DRAWINGS, NOR FOR ANY EXISTING CONSTRUCTION. ANY REPRODUCTION IN ANY FORM OR PART THEREOF, IS STRICTLY PROHIBITED WITHOUT THE WRITTEN CONSENT OF AIASSA DESIGNERS.

Architectural Blueprints - 11 x 17
AIASSA
Designers
 Structural Engineering

| No. | Revision/Issue | Date |
|-----|----------------|------|
| | | |
| | | |

Project Name and Address
 DENNIE AIASSA
 2040 N. ROAD #151
 SAN JOSE, CA 95131
 (408) 230-2989
 WWW.AIASSADESIGNERS.COM

Project Sheet
 Sheet
F3