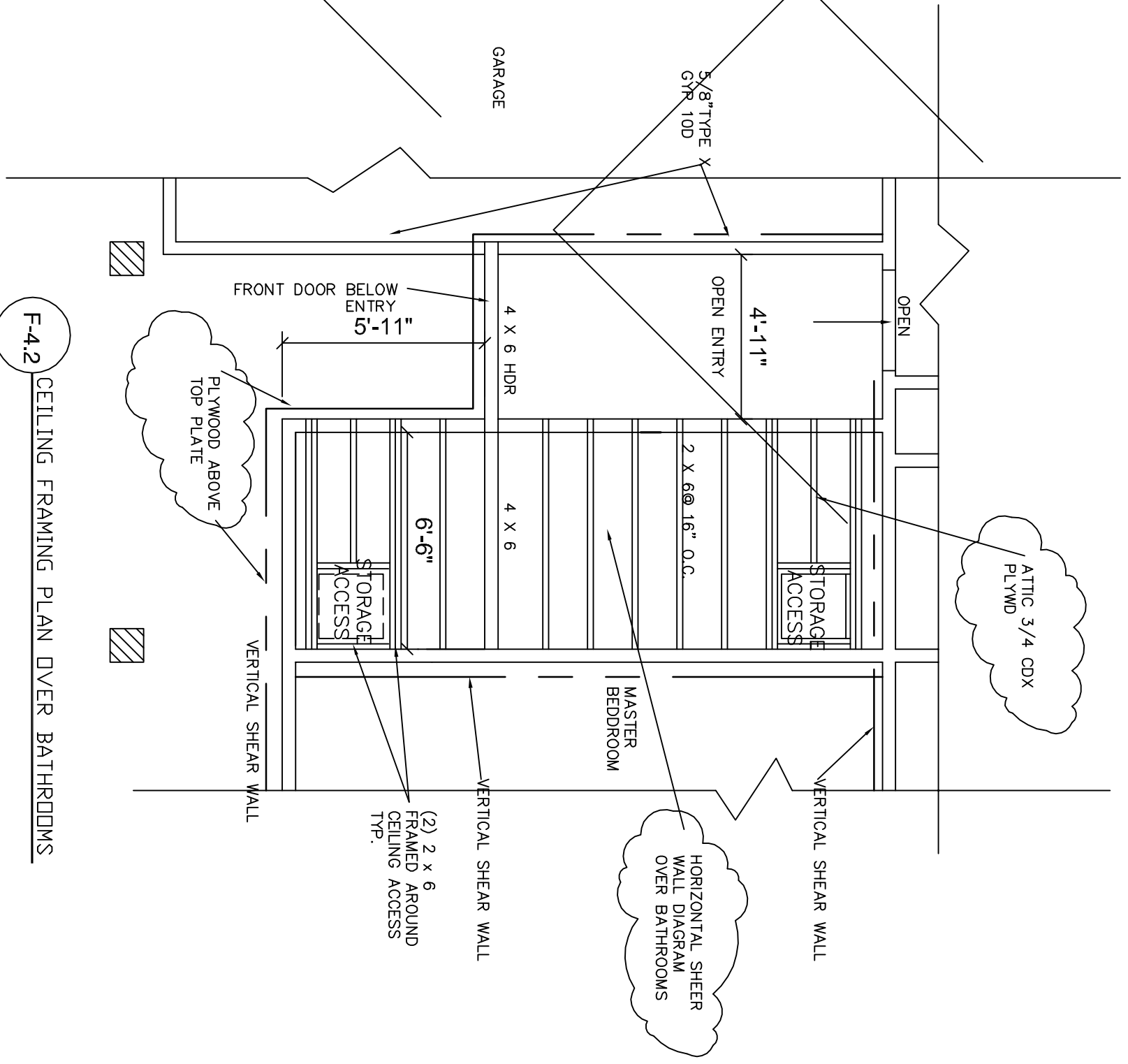


| No. | Revision/Issue | Date |
|-----|----------------|------|
| | | |
| | | |
| | | |

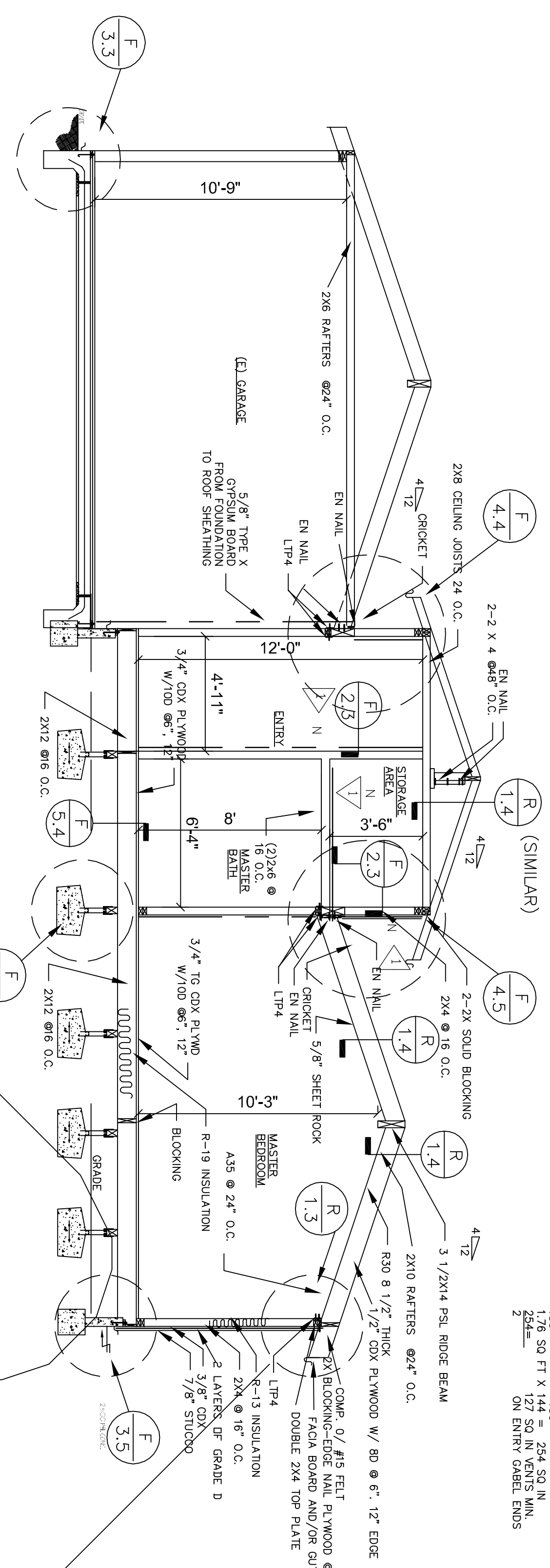
THESE DRAWINGS ARE NOT TO BE USED FOR CONSTRUCTION DRAWINGS. ALL WORK SHALL CONFORM TO APPLICABLE REQUIREMENTS OF LOCAL, STATE, AND FEDERAL AGENCIES HAVING JURISDICTION. AIASSA DESIGNERS ASSUMES NO RESPONSIBILITY FOR THE SUPERVISION NOR PROPER EXECUTION FOR THE WORK SHOWN ON THESE DRAWINGS, NOR FOR ANY EXISTING CONSTRUCTION. ANY REPRODUCTION IN ANY FORM OR PART THEREOF, IS STRICTLY PROHIBITED WITHOUT THE WRITTEN CONSENT OF AIASSA DESIGNERS.

DESIGNER NAME AND ADDRESS
 DENNIE AIASSA
 21411 AIASSA ROAD #151
 SAN JOSE, CA 95131
 (408) 230-2989
 WWW.AIASSADESIGNERS.COM

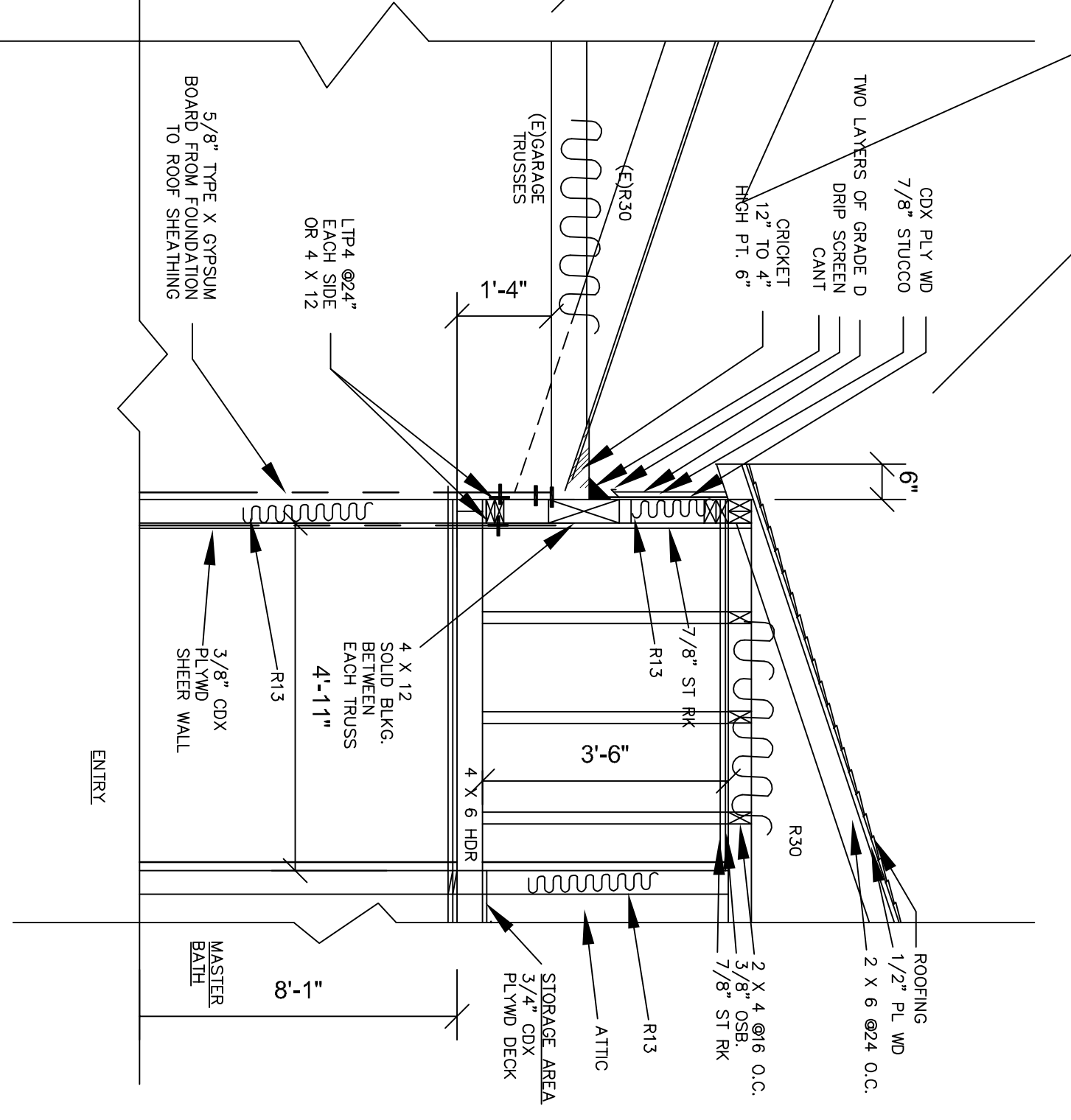
| Project | Sheet |
|---------|-------|
| | F-4 |



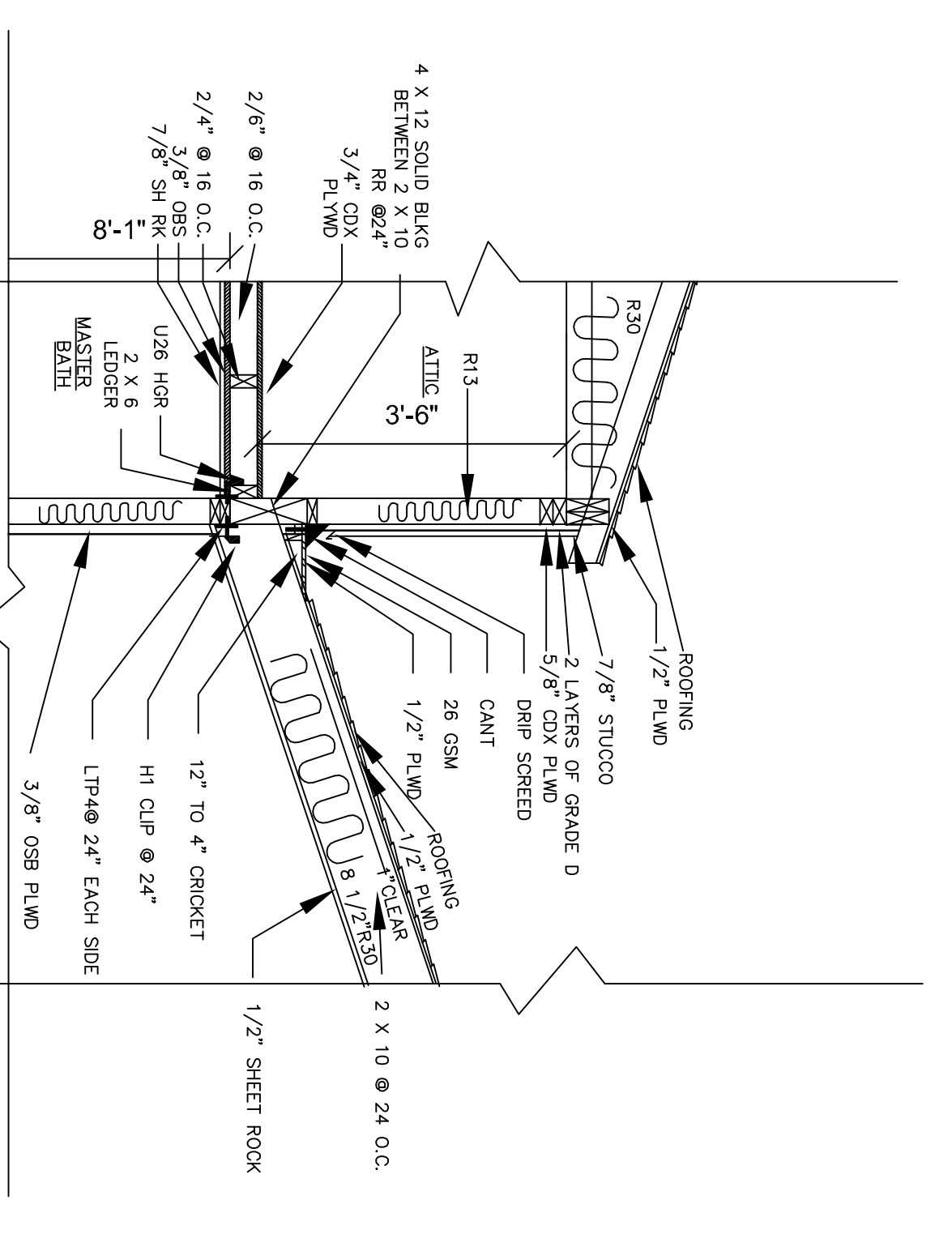
F-4.2 CEILING FRAMING PLAN OVER BATHROOMS



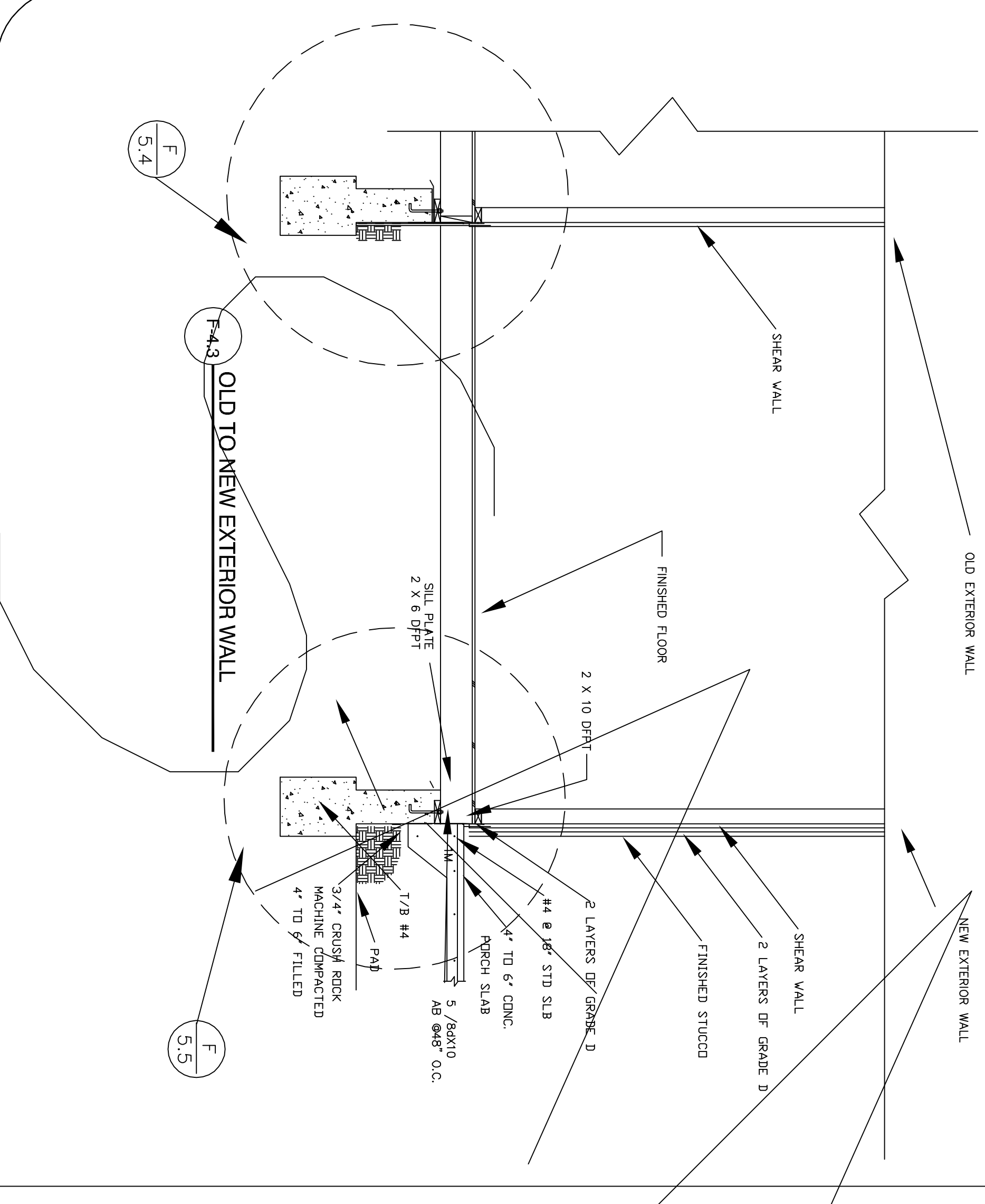
F-4.1 MASTER BEDROOM, ENTRY, AND (E) GARAGE SECTION



F-4.4 LEFT SIDE ENTRY CONNECTION TO GARAGE



F-4.5 RIGHT SIDE ENTRY CONNECTION TO MASTER BEDROOM



F-4.3 OLD TO NEW EXTERIOR WALL