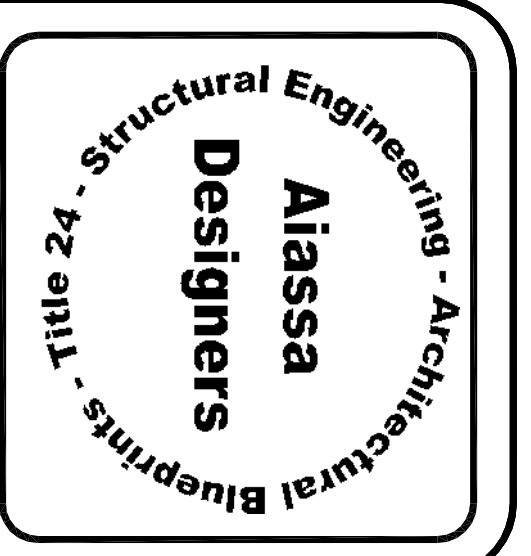
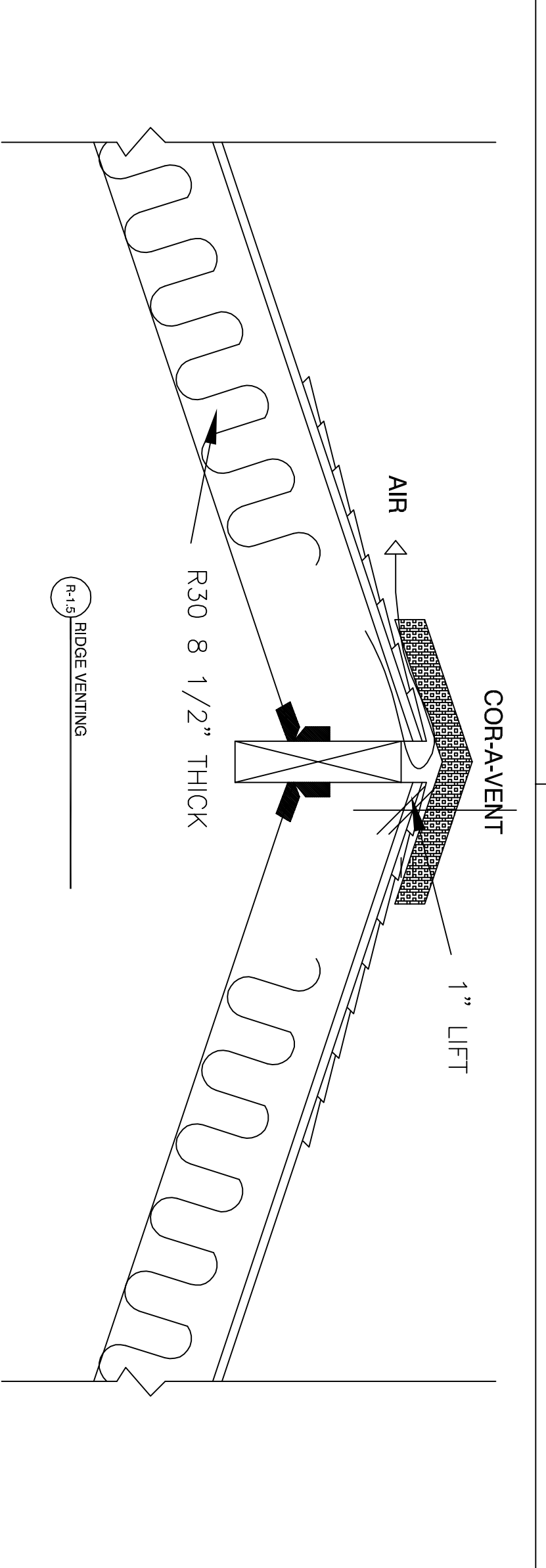
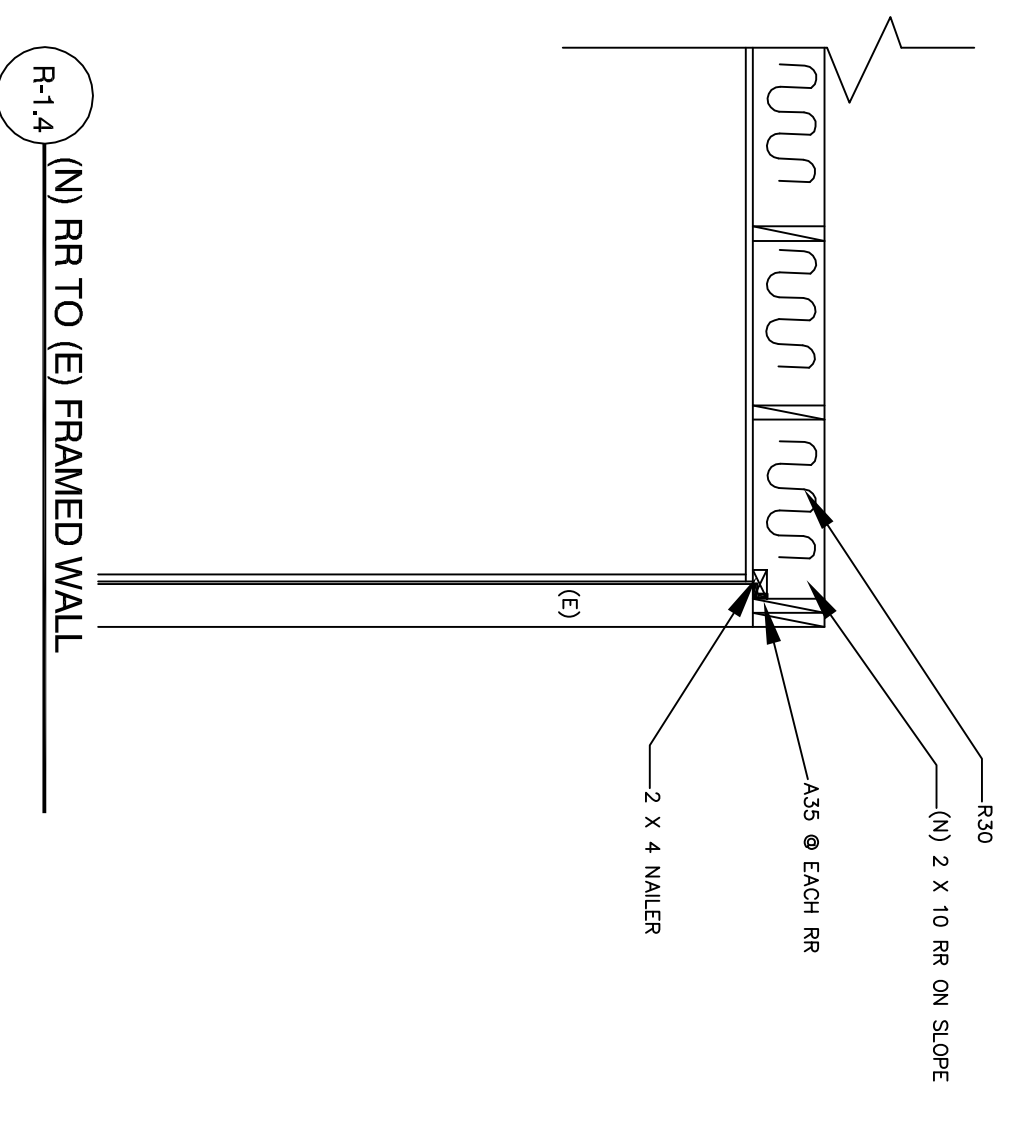
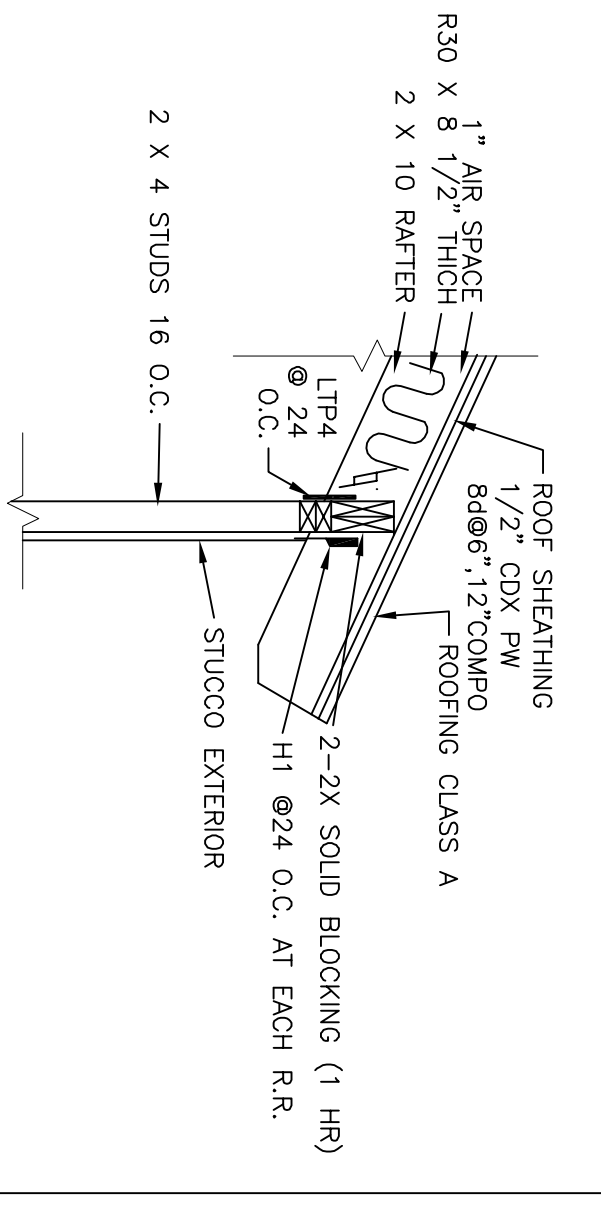
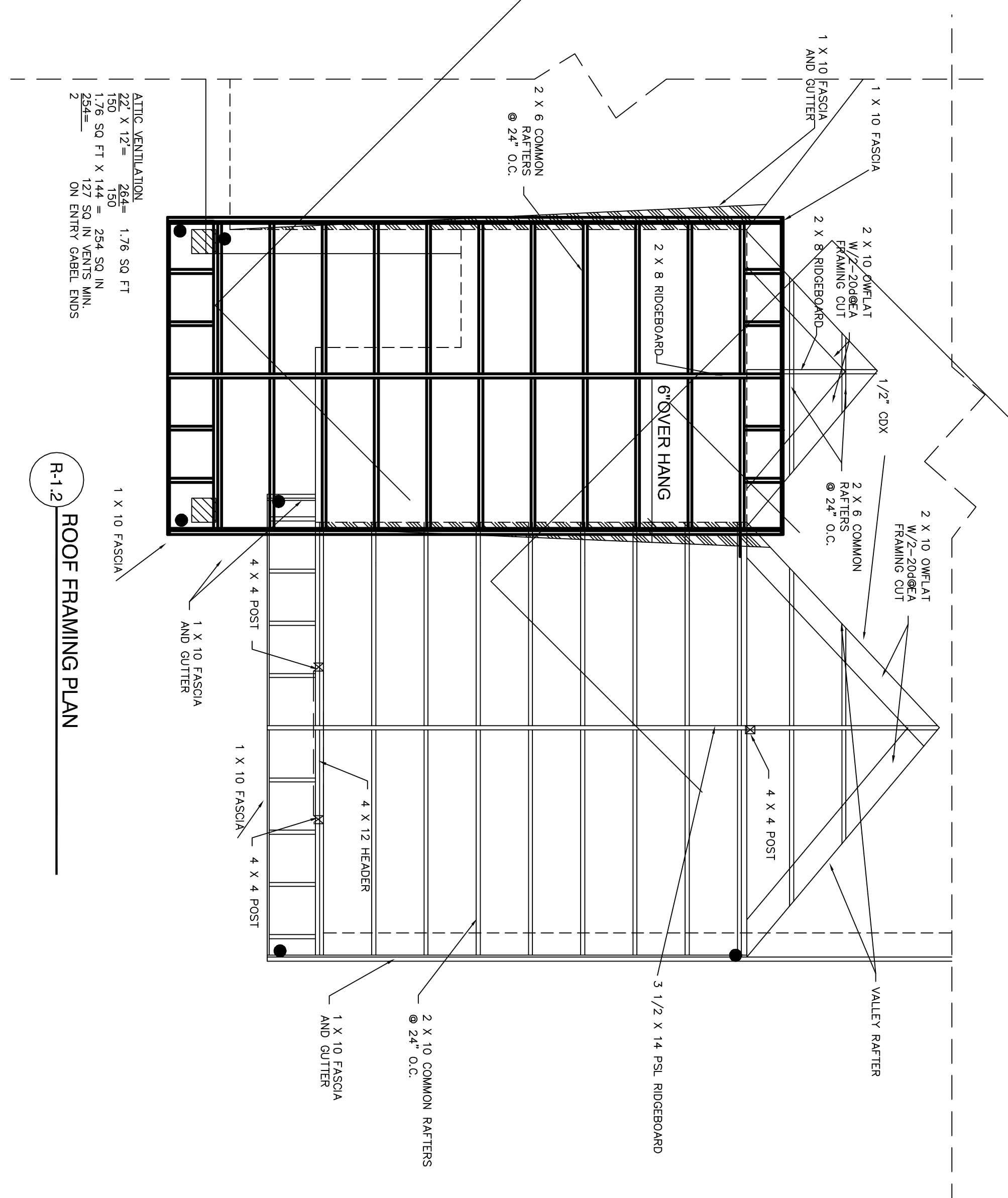
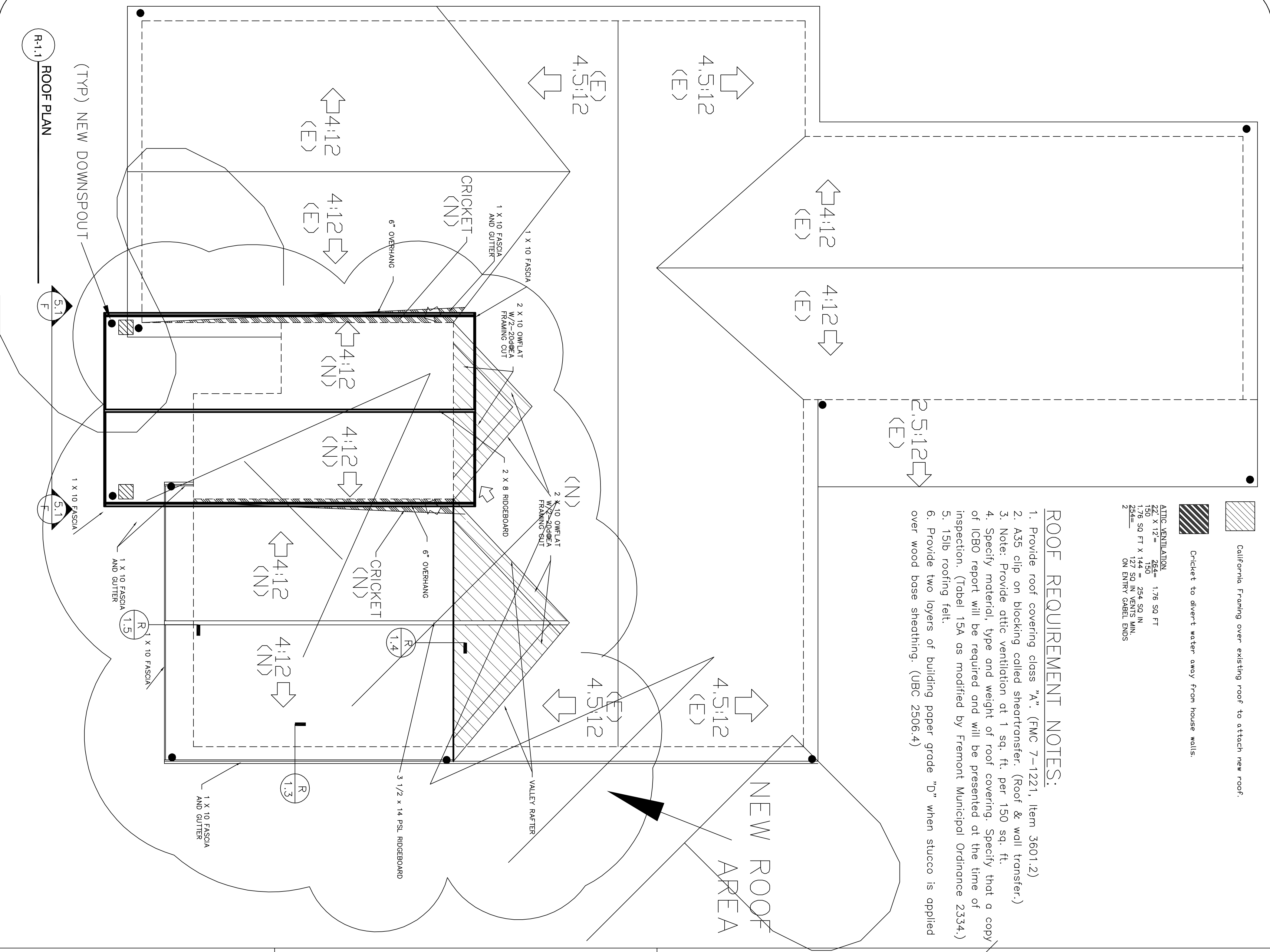


- California Framing over existing roof to attach new roof.
- Crickets to divert water away from house walls.
- ATTIC VENTILATION
  - 22' X 12' = 264' - 176 SQ FT
  - 176 SQ FT X 144" = 254 SQ IN
  - 127 SQ IN VENTS MIN.
  - ON ENTRY GABLE ENDS
  - 2

**ROOF REQUIREMENT NOTES:**

1. Provide roof covering class "A". (FMC 7-1221, Item 3601.2)
2. A35 clip on blocking called sheartransfer. (Roof & wall transfer.)
3. Note: Provide attic ventilation at 1 sq. ft. per 150 sq. ft.
4. Specify material, type and weight of roof covering. Specify that a copy of ICBO report will be required and will be presented at the time of inspection. (Tabel 15A as modified by Fremont Municipal Ordinance 2334.)
5. 15lb roofing felt.
6. Provide two layers of building paper grade "D" when stucco is applied over wood base sheathing. (UBC 2506.4)



No.	Revision/Issue	Date

ALL WORK SHALL CONFORM TO APPLICABLE REQUIREMENTS OF LOCAL, STATE, AND FEDERAL AGENCIES HAVING JURISDICTION. AIASSA DESIGNERS ASSUMES NO RESPONSIBILITY FOR THE PROPER EXECUTION NOR THE WORK SHOWN ON THESE DRAWINGS, NOR FOR ANY EXISTING CONSTRUCTION. ANY REPRODUCTION IN ANY FORM OR PART THERE OF, IS STRICTLY PROHIBITED WITHOUT THE WRITTEN CONSENT OF AIASSA DESIGNERS.

Project Name and Address  
 DENNIE AIASSA  
 2811E AIASSA ROAD #151  
 SAN JOSE, CA 95131  
 (408) 230-2989  
 WWW.AIASSADESIGNERS.COM

Project	Sheet
	R1